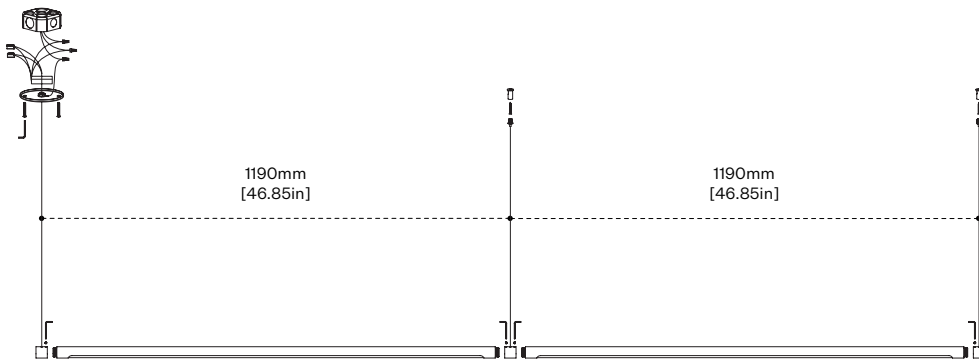


# anony

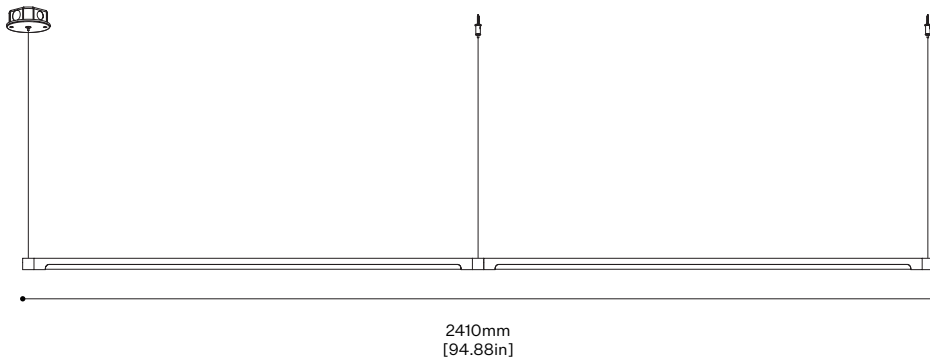
186 St Helens Ave  
Toronto, Ontario  
M6H 4A1  
+1 905 301 0306  
sales@anony.ca



1. Disconnect power

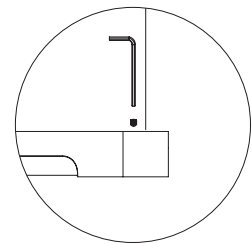


2. Layout points onto ceiling
3. Attach gripper bodies to ceiling
4. Connect wires to junction box
5. Screw canopy plate to junction box



6. Connect & secure with set screws

\*Dimming, use Electronic Low Voltage (ELV)

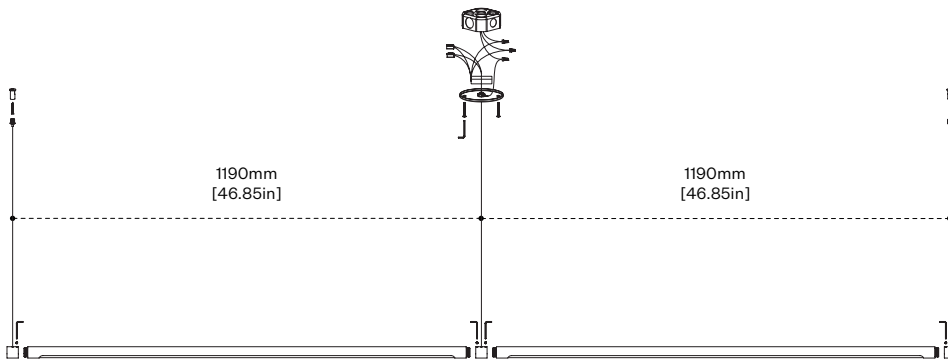


# anony

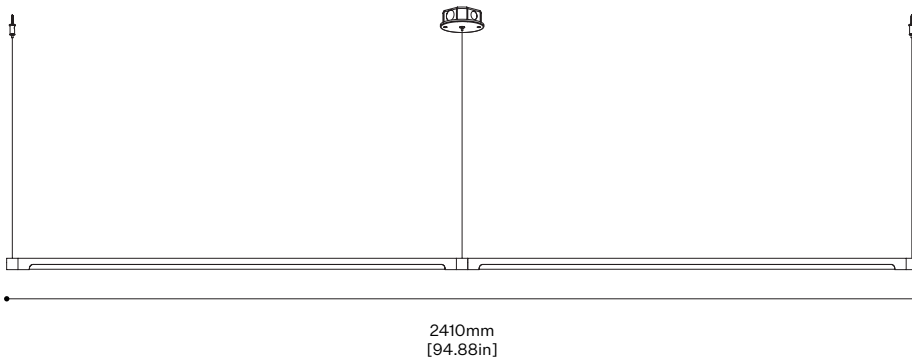
186 St Helens Ave  
Toronto, Ontario  
M6H 4A1  
+1 905 301 0306  
sales@anony.ca



1. Disconnect power



2. Layout points onto ceiling
3. Attach gripper bodies to ceiling
4. Connect wires to junction box
5. Screw canopy plate to junction box



6. Connect & secure with set screws

\*Dimming, use Electronic Low Voltage (ELV)

