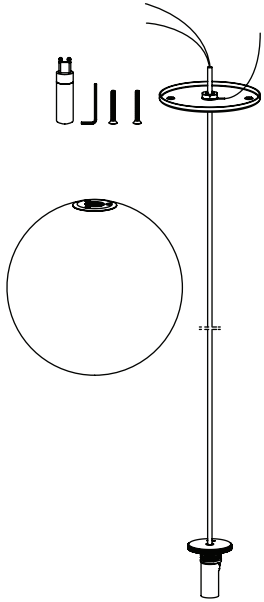
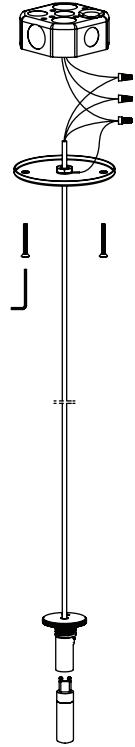


anony

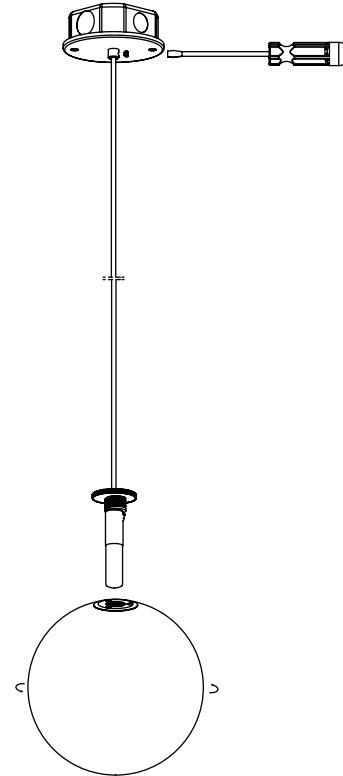
186 St Helens Ave
Toronto, Ontario
M6H 4A1
+1 905 301 0306
sales@anony.ca



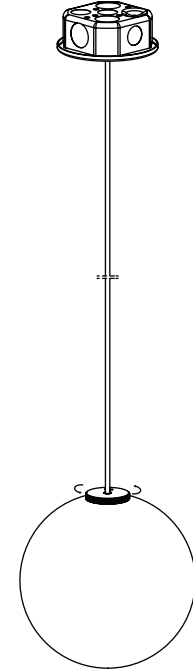
1. Disconnect power



2. Connect live, neutral, & ground
3. Screw canopy plate to junction box
4. Insert G9 LED bulb



5. Screw glass
6. Adjust cable height into strain relief
7. Tighten strain relief



8. Tighten until glass is secure