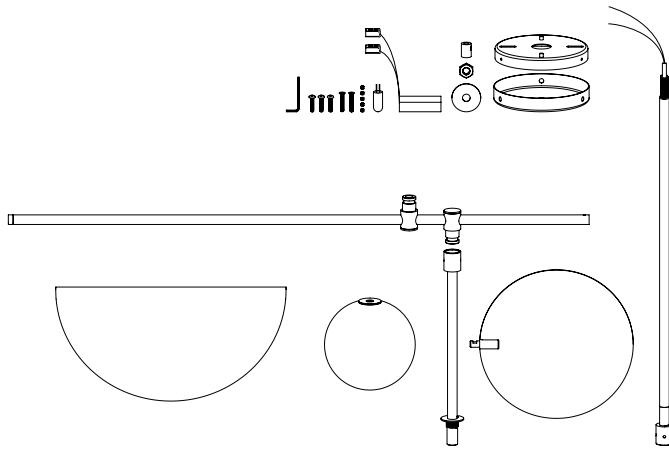
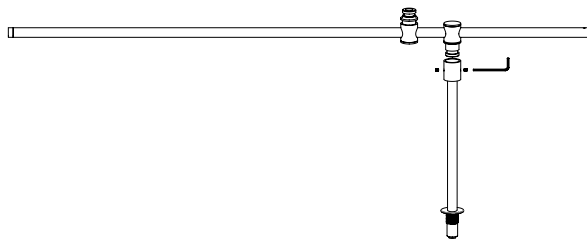


anony

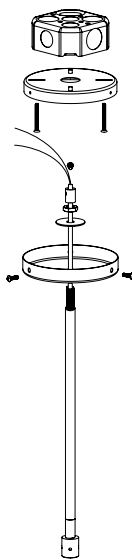
186 St Helens Ave
Toronto, Ontario
M6H 4A1
+1 905 301 0306
sales@anony.ca



1. Disconnect power



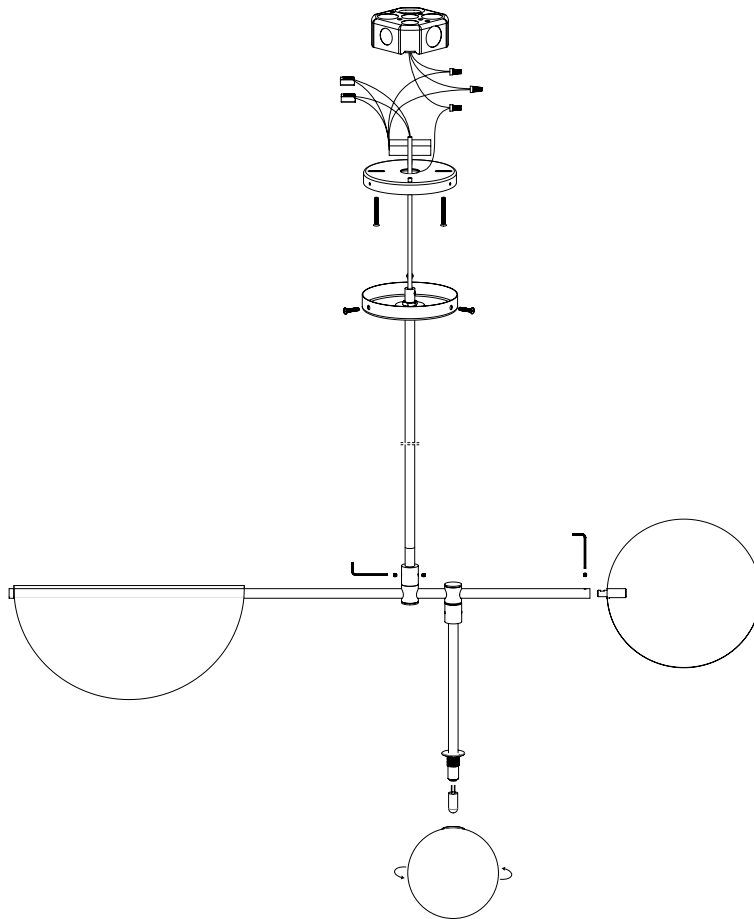
2. Lay horizontal pipe on floor
3. Connect vertical to horizontal
4. Tighten 2pcs Set Screws



5. Connect vertical to canopy
6. Tighten nut with washer
7. Secure strain relief, tighten set screw

anony

186 St Helens Ave
Toronto, Ontario
M6H 4A1
+1 905 301 0306
sales@anony.ca



8. Connect live & neutral
9. Connect low voltage
10. Screw backplate to junction box
11. Tighten screws to canopy & backplate
12. Connect frame to vertical pipe, tighten 2pcs Set Screws
13. Insert G4 LED bulb & screw glass
14. Insert disk & tighten set screw
15. Place plexiglass on pipe
16. Tighten set screws until secure