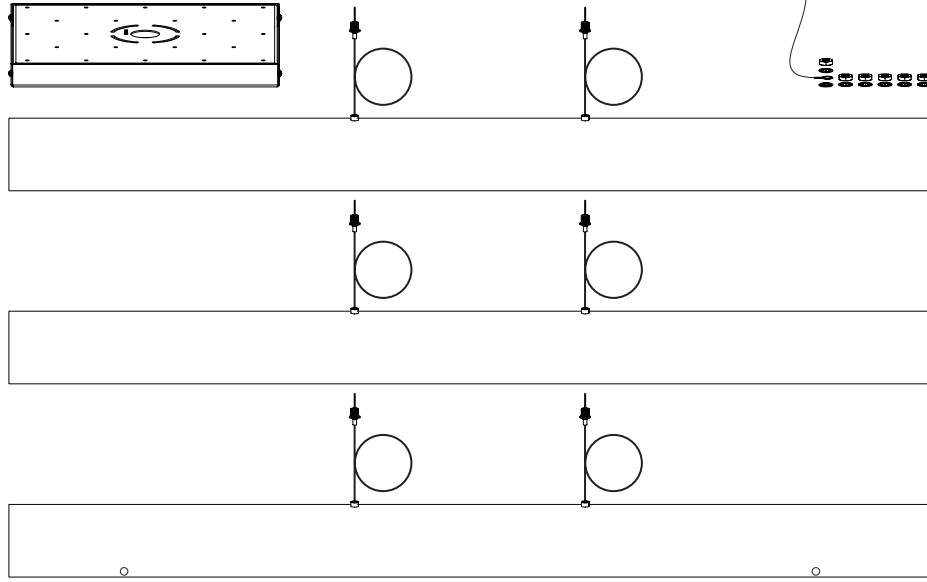
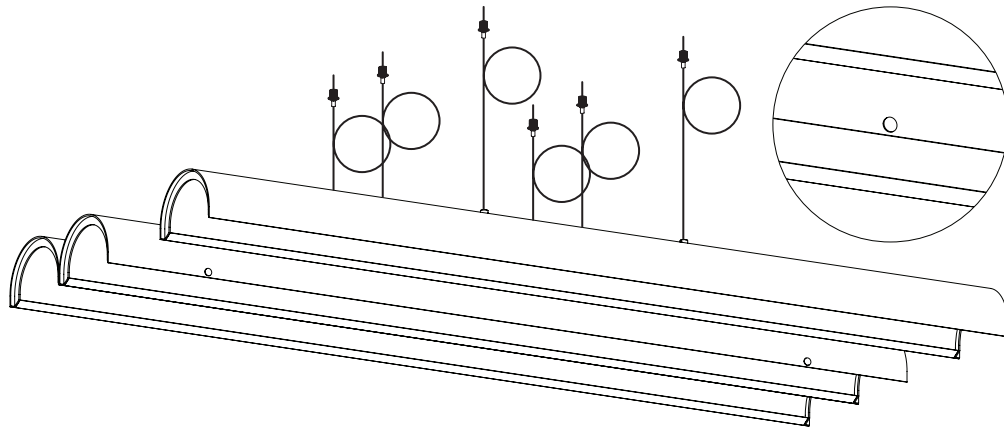


anony

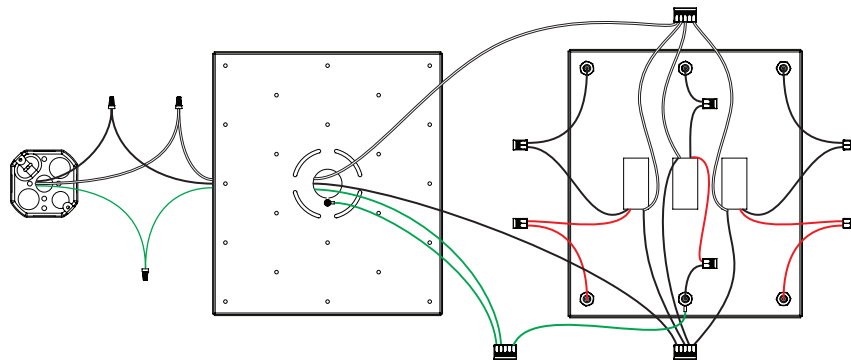
186 St Helens Ave
Toronto, Ontario
M6H 4A1
+1 905 301 0306
sales@anony.ca



1. Disconnect power



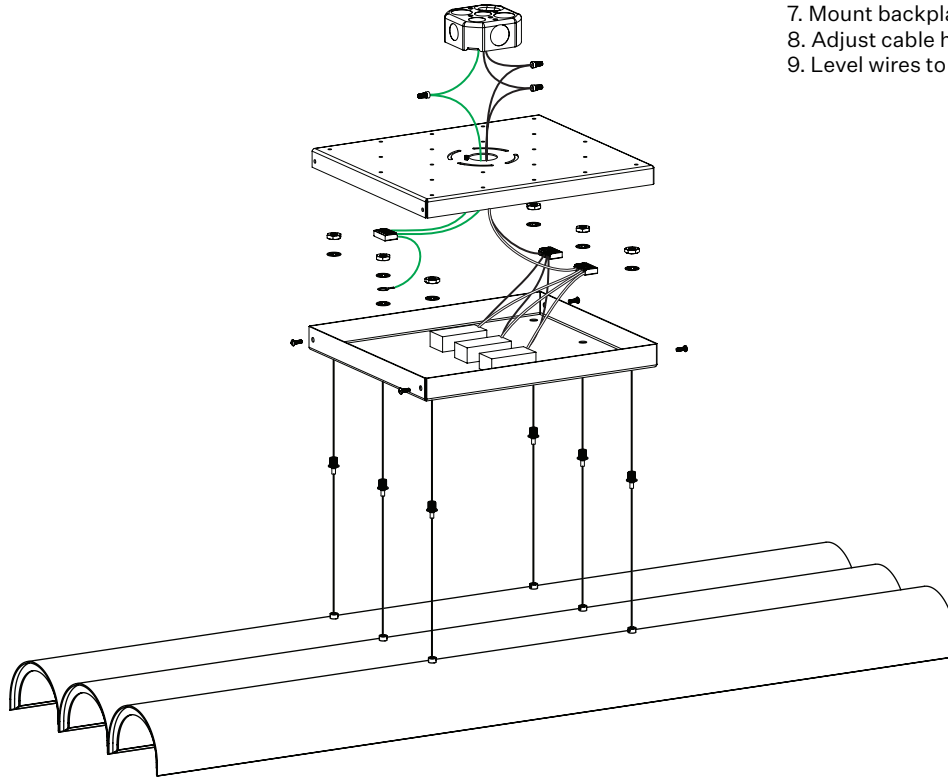
2. Apply bumper pads to the center pendant, 6in from each edge



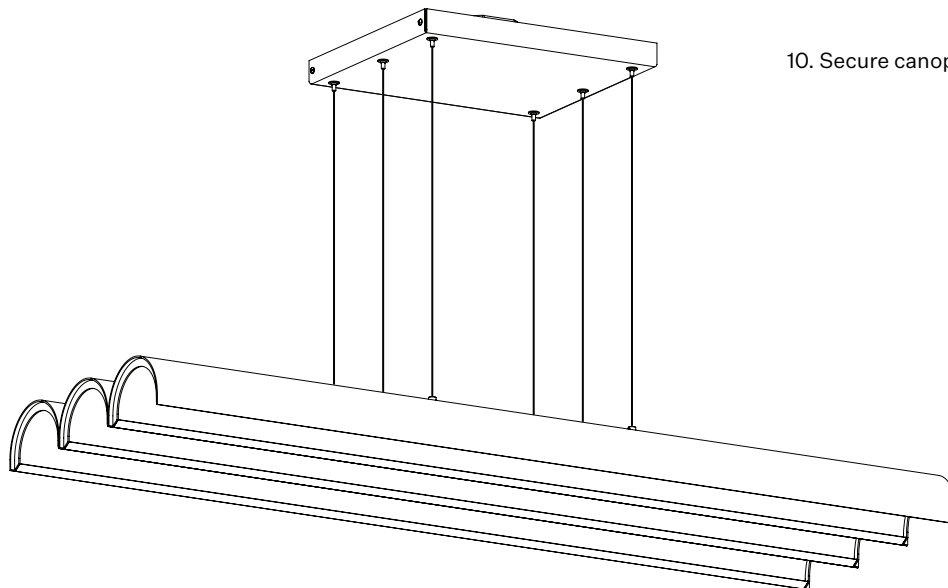
3. Attach grippers to canopy
4. Tighten ground strap, nuts, & washers
5. Connect pendant wires to transformers
6. Connect live, neutral, & ground

anony

186 St Helens Ave
Toronto, Ontario
M6H 4A1
+1 905 301 0306
sales@anony.ca



7. Mount backplate to junction box
8. Adjust cable height into gripper
9. Level wires to ensure even fixture



10. Secure canopy with screws