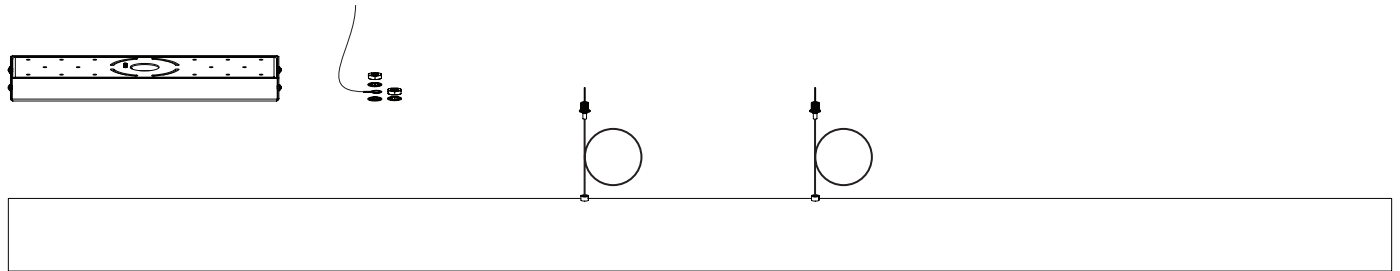
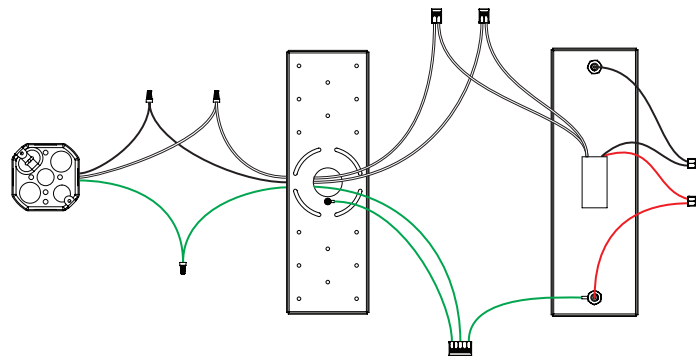


anony

186 St Helens Ave
Toronto, Ontario
M6H 4A1
+1 905 301 0306
sales@anony.ca



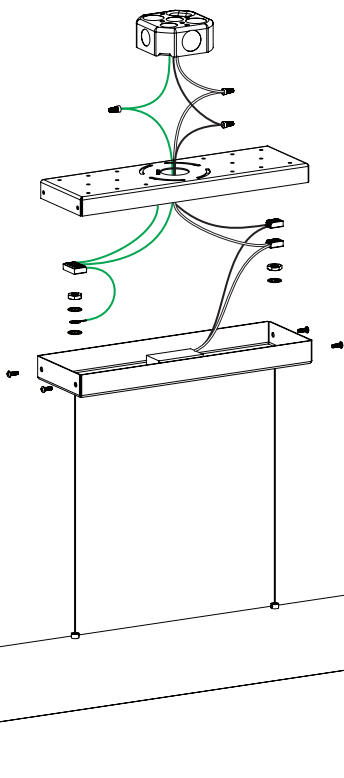
1. Disconnect power



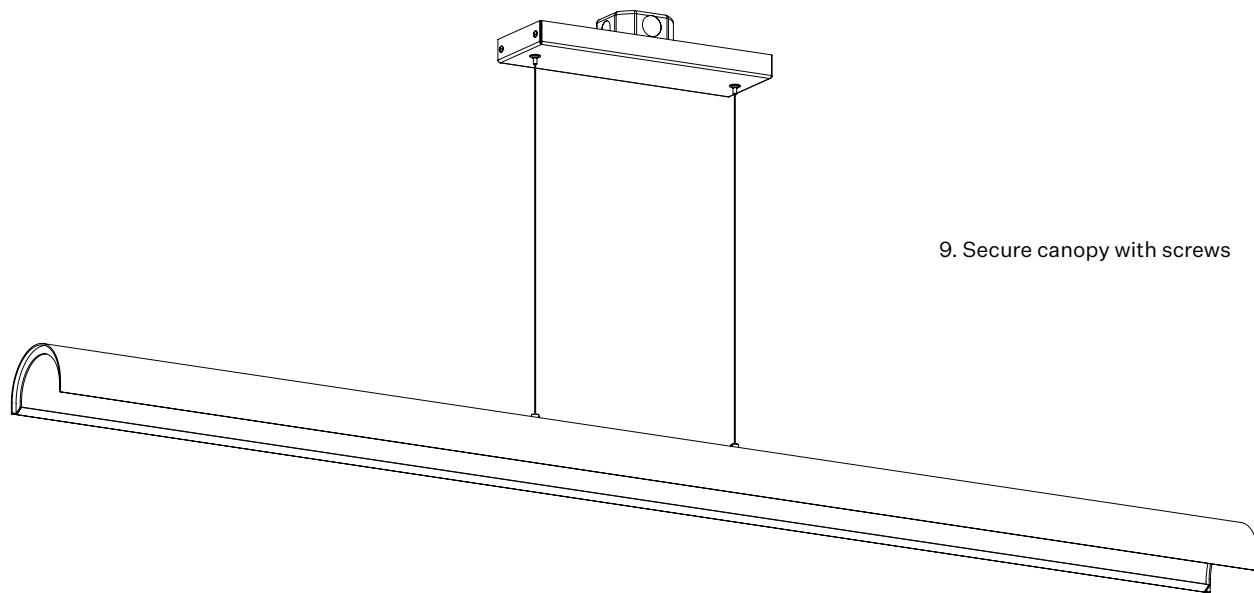
2. Attach grippers to canopy
3. Tighten ground strap, nuts, & washers
4. Connect pendant wires to transformers
5. Connect live, neutral, & ground

anony

186 St Helens Ave
Toronto, Ontario
M6H 4A1
+1 905 301 0306
sales@anony.ca



6. Mount backplate to junction box
7. Adjust cable height into gripper
8. Level wires to ensure even fixture



9. Secure canopy with screws