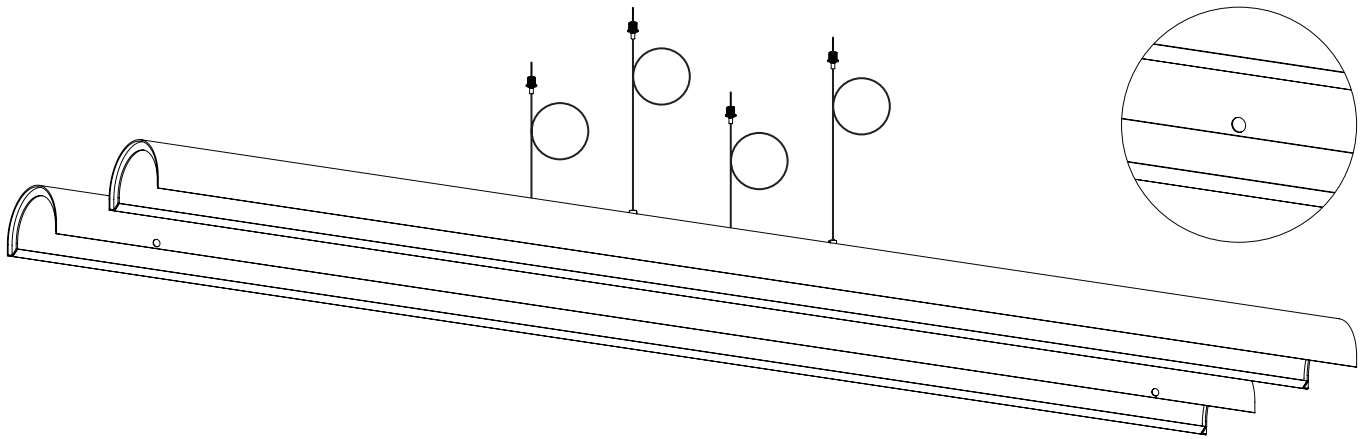
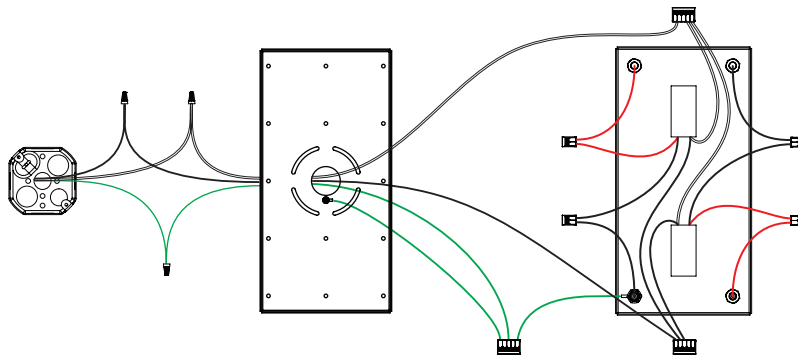


1. Disconnect power



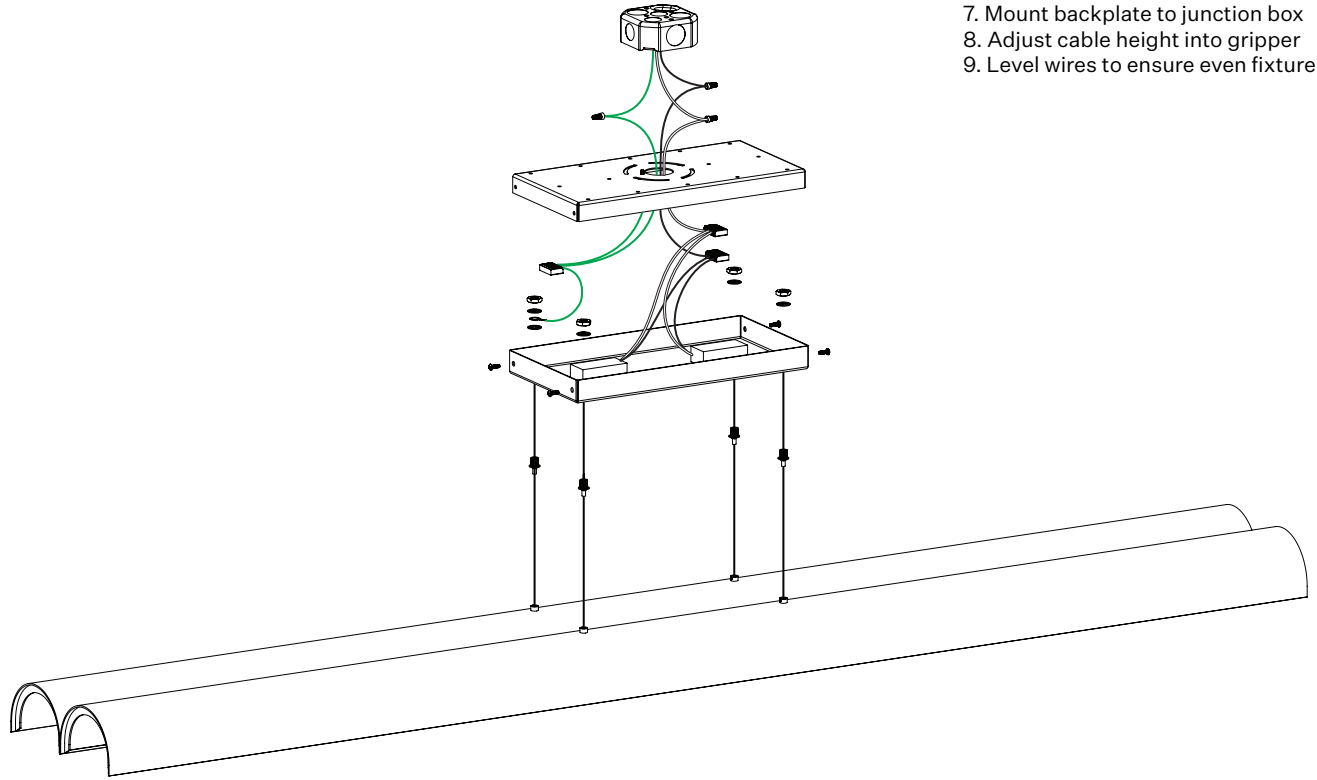
2. Apply bumper pads 6in from each edge



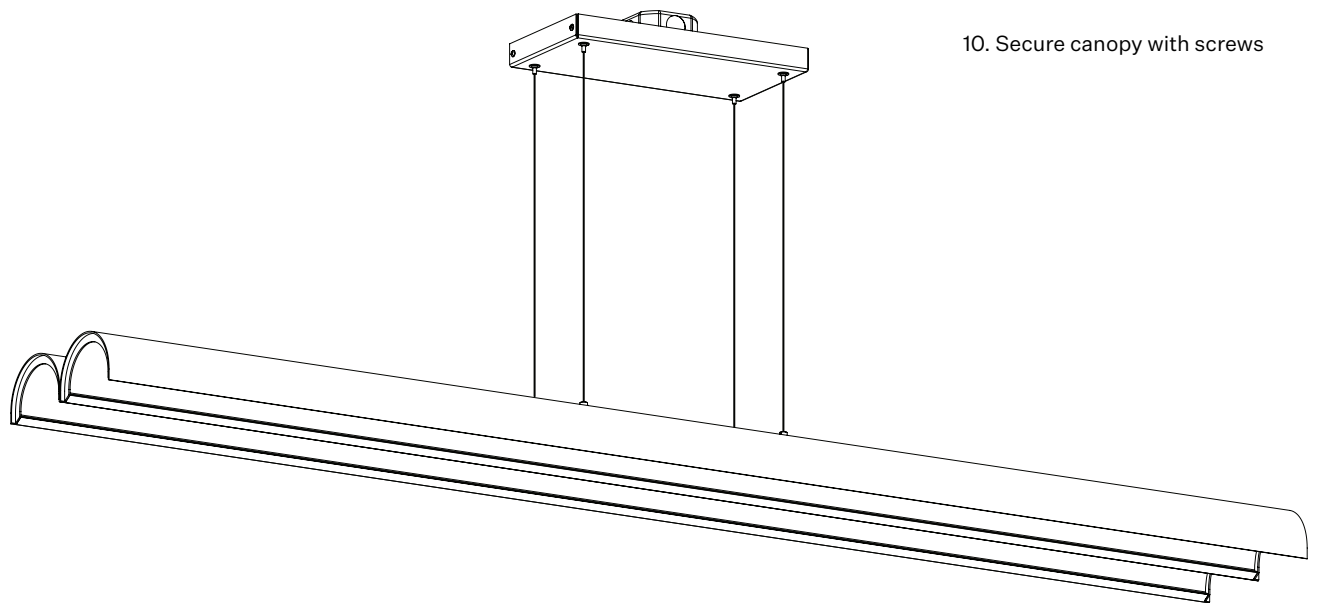
3. Attach grippers to canopy  
4. Tighten ground strap, nuts, & washers  
5. Connect pendant wires to transformers  
6. Connect live, neutral, & ground

**anony**

186 St Helens Ave  
Toronto, Ontario  
M6H 4A1  
+1 905 301 0306  
sales@anony.ca



7. Mount backplate to junction box
8. Adjust cable height into gripper
9. Level wires to ensure even fixture



10. Secure canopy with screws