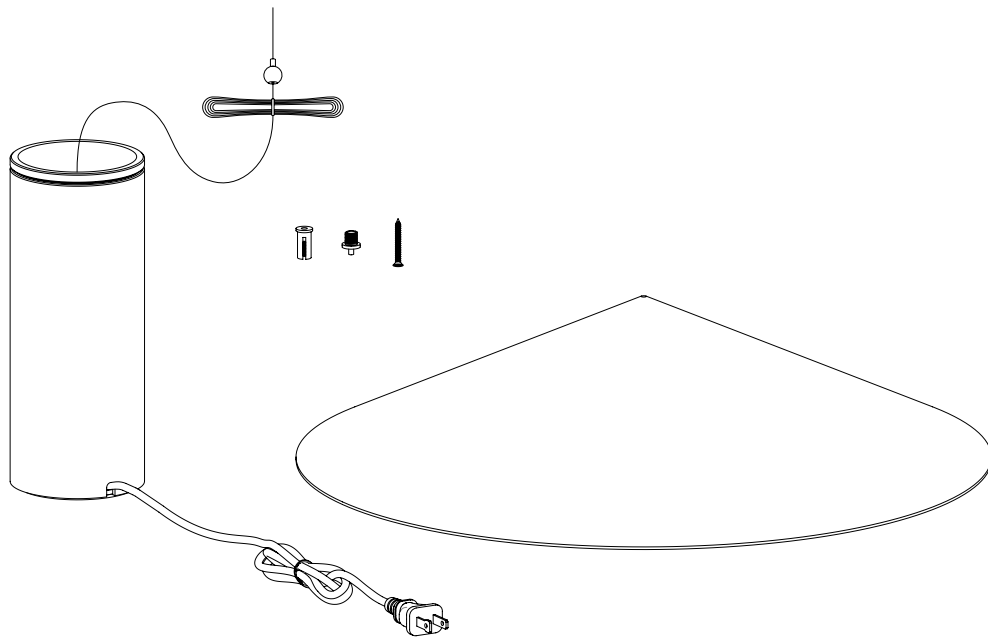


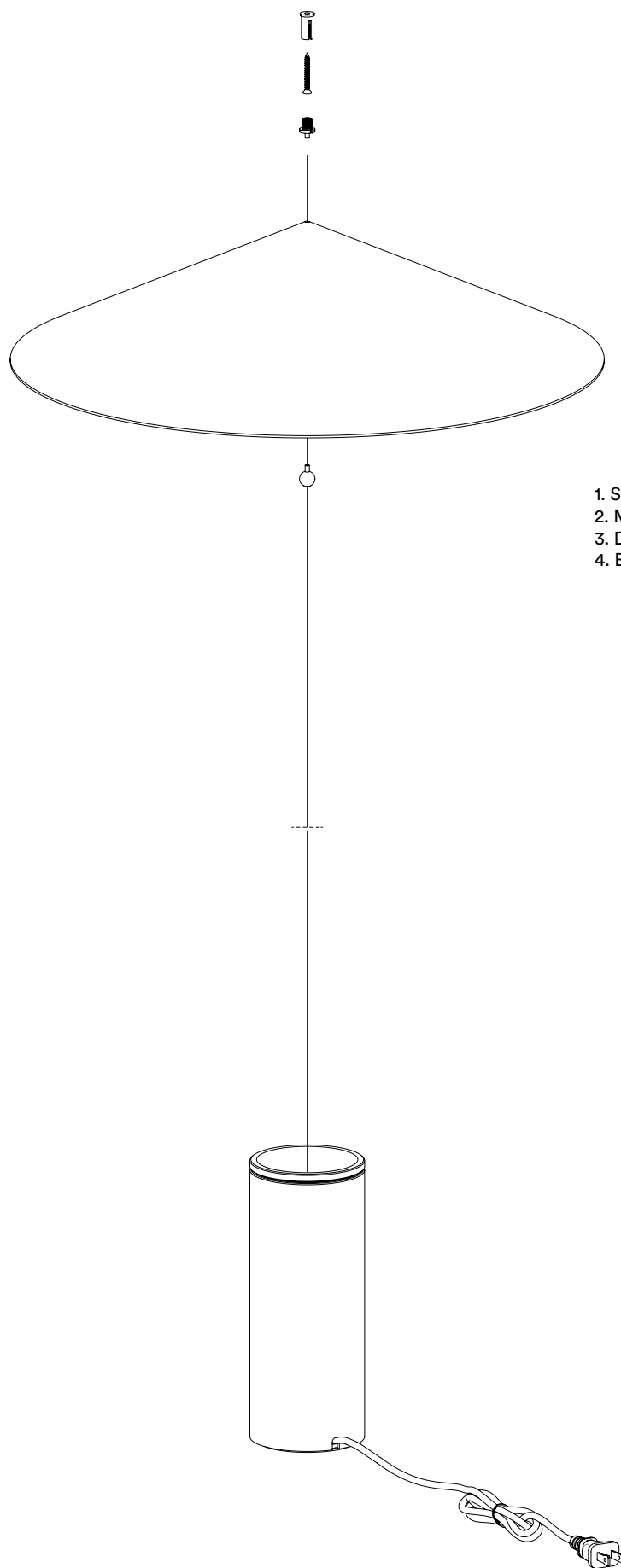
anony

186 St Helens Ave
Toronto, Ontario
M6H 4A1
+1 905 301 0306
sales@anony.ca



anony

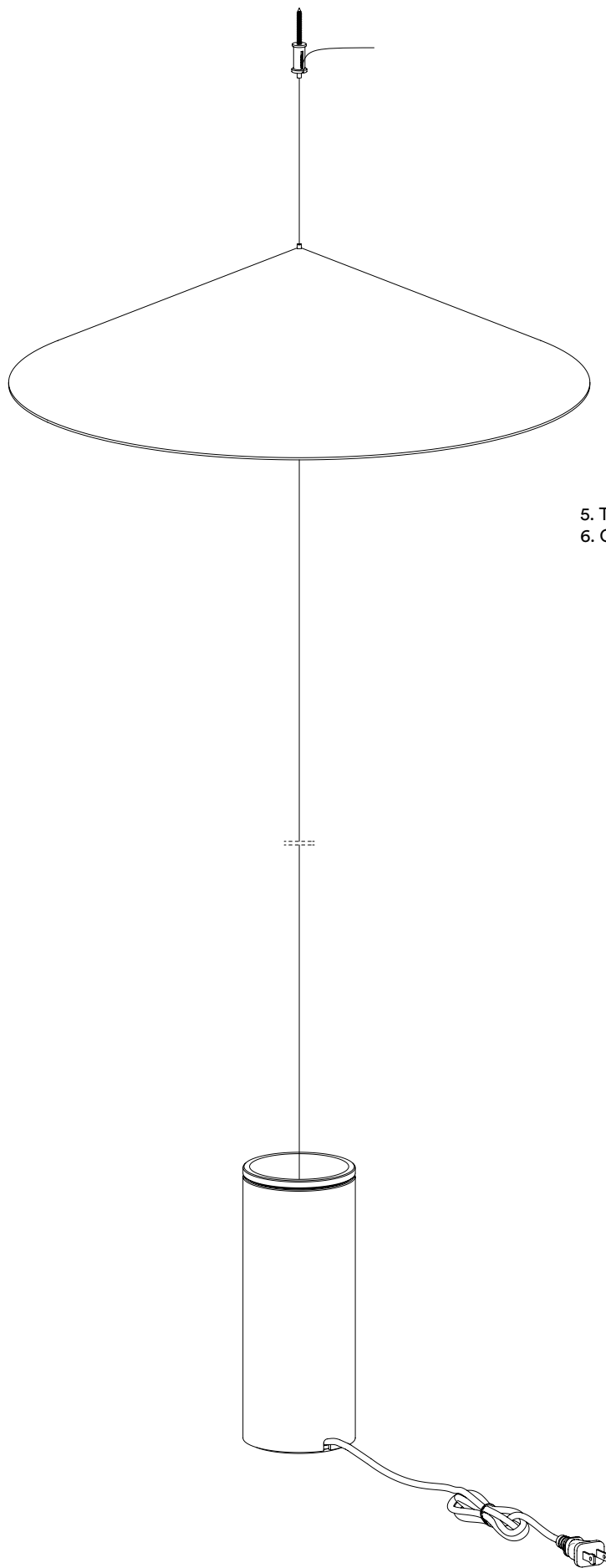
186 St Helens Ave
Toronto, Ontario
M6H 4A1
+1 905 301 0306
sales@anony.ca



1. String shade onto cable
2. Mark point onto ceiling
3. Drill gripper body onto ceiling
4. Ensure screw does not contact metal

anony

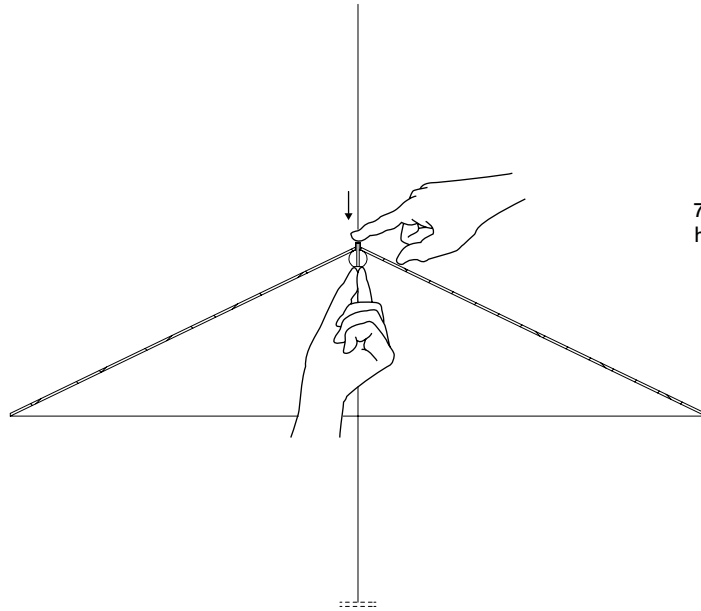
186 St Helens Ave
Toronto, Ontario
M6H 4A1
+1 905 301 0306
sales@anony.ca



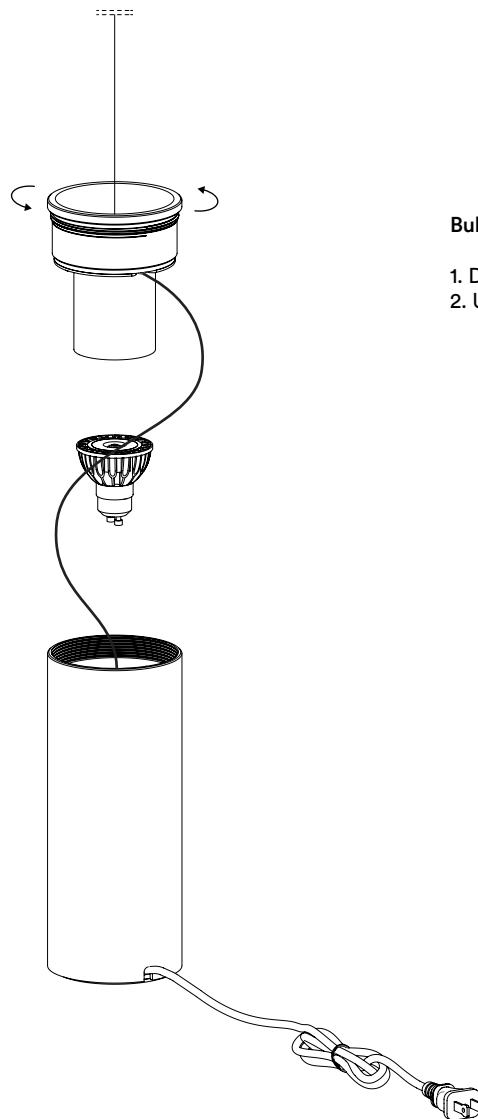
- 5. Tighten cable until taut
- 6. Connect power

anony

186 St Helens Ave
Toronto, Ontario
M6H 4A1
+1 905 301 0306
sales@anony.ca



7. Press gripper pin to adjust shade height



Bulb replacement

1. Disconnect power
2. Undo lid to change bulb