



The Standard - Large 1933™ Design Model: CL02A



An icon in its own right! The Original 1933 Design shade perfectly meets today's lighting requirements, but now with the addition of the large statements model.

The large shade shares the same visual language and proportions of the Original. Intended as main room or statement lighting, the bulb sits higher into the top gallery to emit more ambient light into the room.



Table of contents

Dimensions	3
Colours	3
Weight	4
Handmade process Materials	4
Maintenance Care	4
Mounting Indications	5
Conformance Regulatory	5

Important

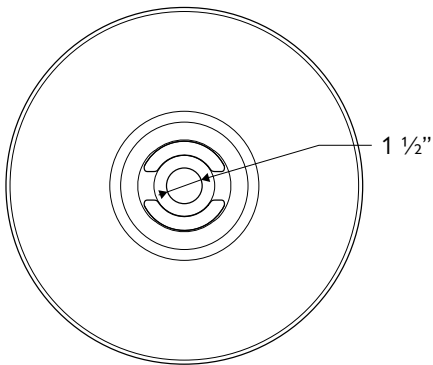
- For indoor use only
- Shade must be secured between lamp holder and shade rings
- Not intended for use in bathrooms, wet areas or installation in Wiring zones 0, 1 or 2
- All power to the circuit must be switched off at supply source before installation
- Installation to be carried out by a competent professional in accordance with relevant and current building regulations and codes
- Electric cord and connection terminals must be relieved from strain with suitable cord grip and strain relief product
- Ensure luminaire electric cord is 3x18 AWG size and double insulated, see mounting type below
- Always consider the total weight load when installing and suspending your Coolicon™ shade, ensuring sufficient structural support
- Maintain safe distance between luminaire and surfaces



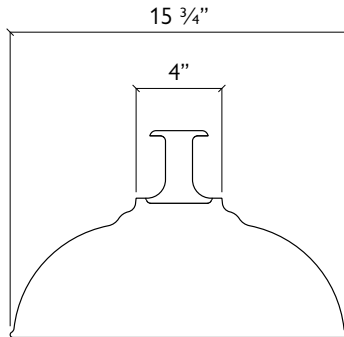
The Standard - Large 1933™ Design Model: CL02A

Region: USA

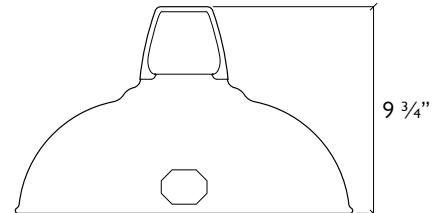
Dimensions



TOP

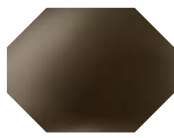


SIDE

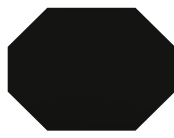


FRONT

Colours



ANTINIUM



JET
BLACK



ROYAL
BLUE



CLASSIC
CREAM



ORIGINAL
GREEN



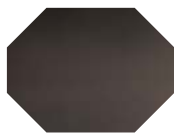
ORIGINAL
GREY



LATTE
BROWN



METROPOLITAN



PEWTER



POWDER
PINK



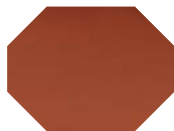
SELVEDGE
BLUE



SKY
BLUE



FRESH
TEAL



TERRACOTTA



ORIGINAL
WHITE



DEEP
YELLOW



The Standard - Large 1933™ Design
Model: CL02A

Region: USA

Weight

Due to the handmade nature of the product, weight may vary.

Approximate shade weight: 2.2lb

Approximate pendant weight: 1.2lb

Handmade Process | Materials

Handmade in England

Material: Steel

Finish: Vitreous Enamel

Indoor use only

Steel: infinitely recyclable

Maintenance | Care

Do not use any abrasive cleaning products.

Vitreous Enamel is smooth and impervious which makes cleaning your lampshade easy.

We recommend you dust your 1933™ Design lampshade with a dry, soft cloth. Stubborn, greasy marks can be removed gently with a soft cloth dampened in lukewarm water with a mild detergent.

Cleaning of the lampshade should only occur when the light is switched off with no power to the circuit. It is important that the electrical fitting is not exposed to any liquids.

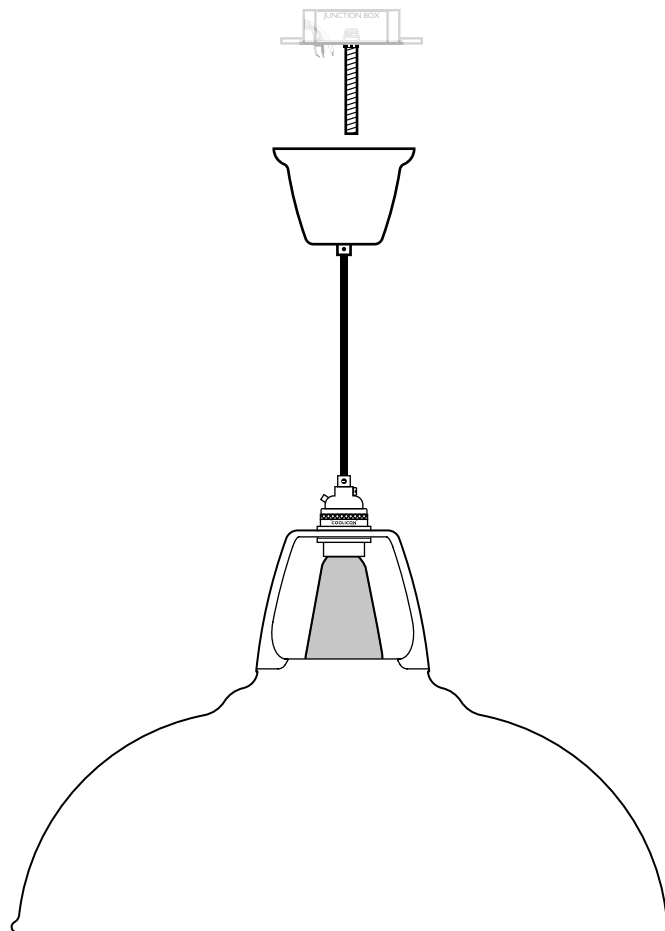


Mounting Indications

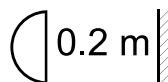
Suited for assembly with 4" Junction Box (octagonal or round)
The example shows assembly instructions for
Coolicon Brass Suspension Set - Model: SK03-E26-BRS (included)

Must be able to support a minimum additional weight load of 5.5lb.

For more details, see separate Suspension Set Instructions



Conformance & Regulatory



RoHS
2011/65/EU