



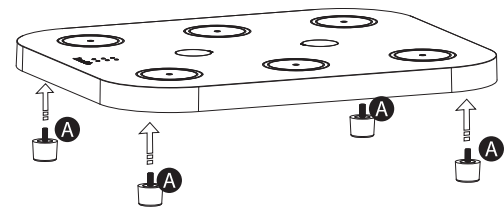
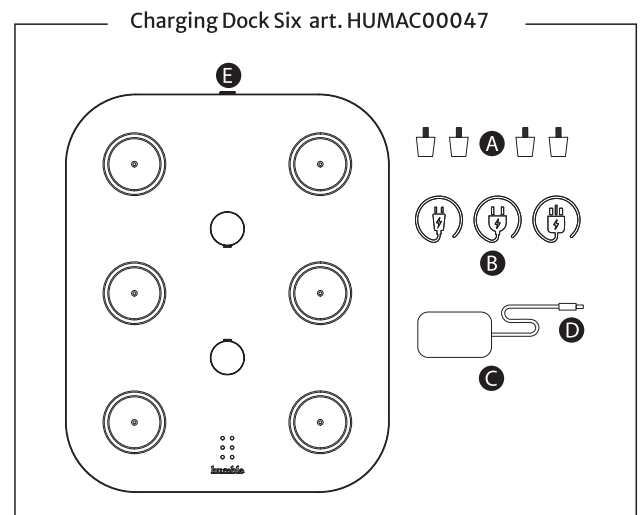
# Manual

Charging Dock Six HUMAC00047

Charging Dock Six Stack Set HUMAC00048

## Quick start

- Install feet (A) (when making a stack; only screw these to the bottom charger)
- Choose the correct power cable (B) for your country and connect it to the adapter (C).
- Plug the DC plug (D) into the charger (E).
- Connect the power cable to a wall outlet.
- Place one to six Humble lamps in the center of the six charging spots.
- Charging takes 4–12 hours, depending on battery capacity.

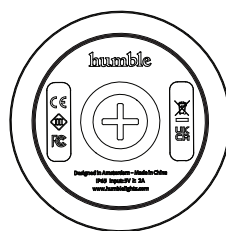


## Compatibility

The Humble Charging Dock Six features integrated magnets and is compatible with Humble magnetic lamps, ensuring secure positioning during charging. Non-magnetic Humble lamps can be used, but are not magnetically secured and may tip or fall. To find out if your lamps are magnetic refer to the drawings below.



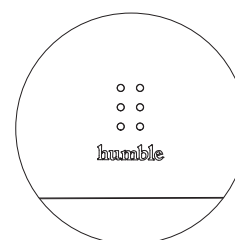
non-magnetic base



magnetic base

## Indicator lights

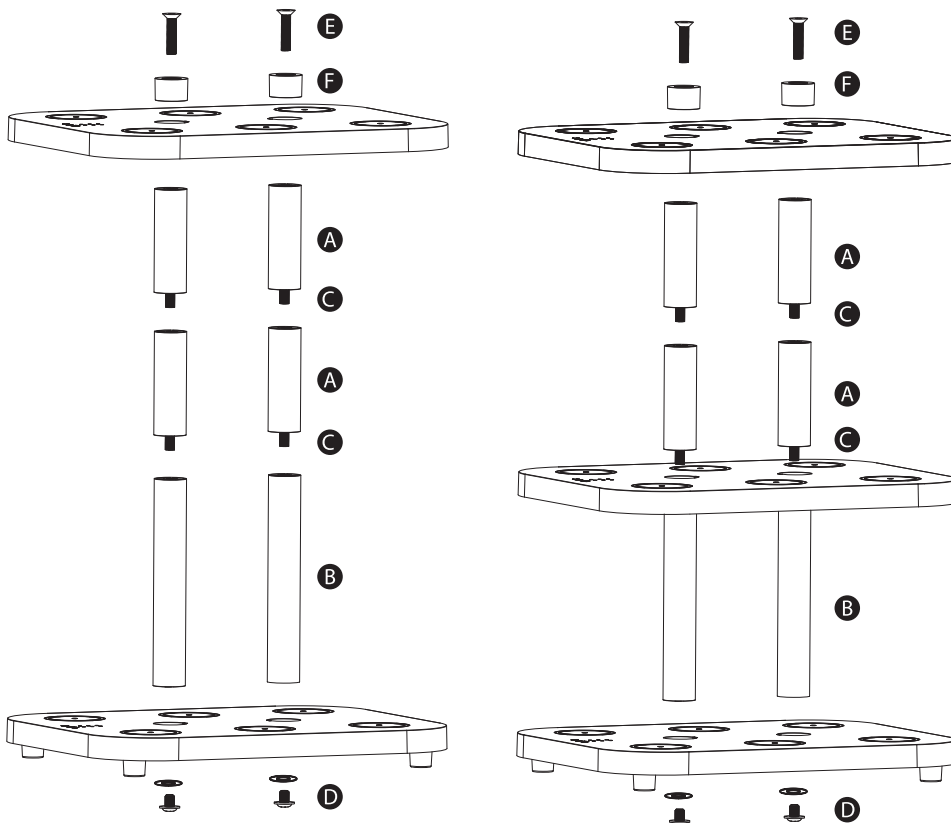
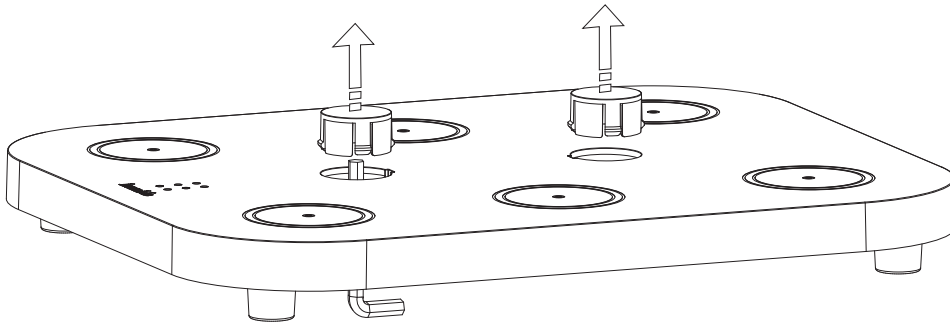
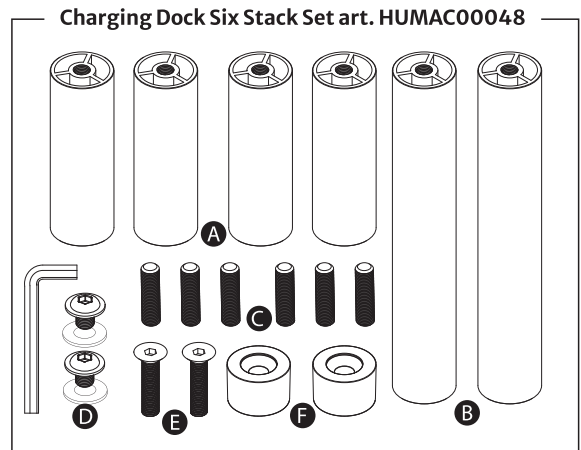
- Solid light: Humble lamp is charging.
- Light off: Newest lamps: fully charged. On earlier lamps: may stay on. Both are normal.
- Blinking light: Charging error. Remove lamp, check placement and charging area, then retry.



**humble**

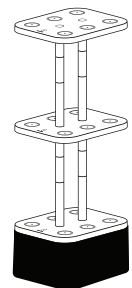
## Stacking chargers

- Push the caps out of the charger from below.
- Choose the right height (see page 3).
- Use threaded connectors (C) to join the profiles (A/B).
- Use screws (D) to secure the poles to the bottom charger.
- Depending on the desired configuration (page 3) stack another charger.
- Secure top charger using the sleeves (F) and screws (E)



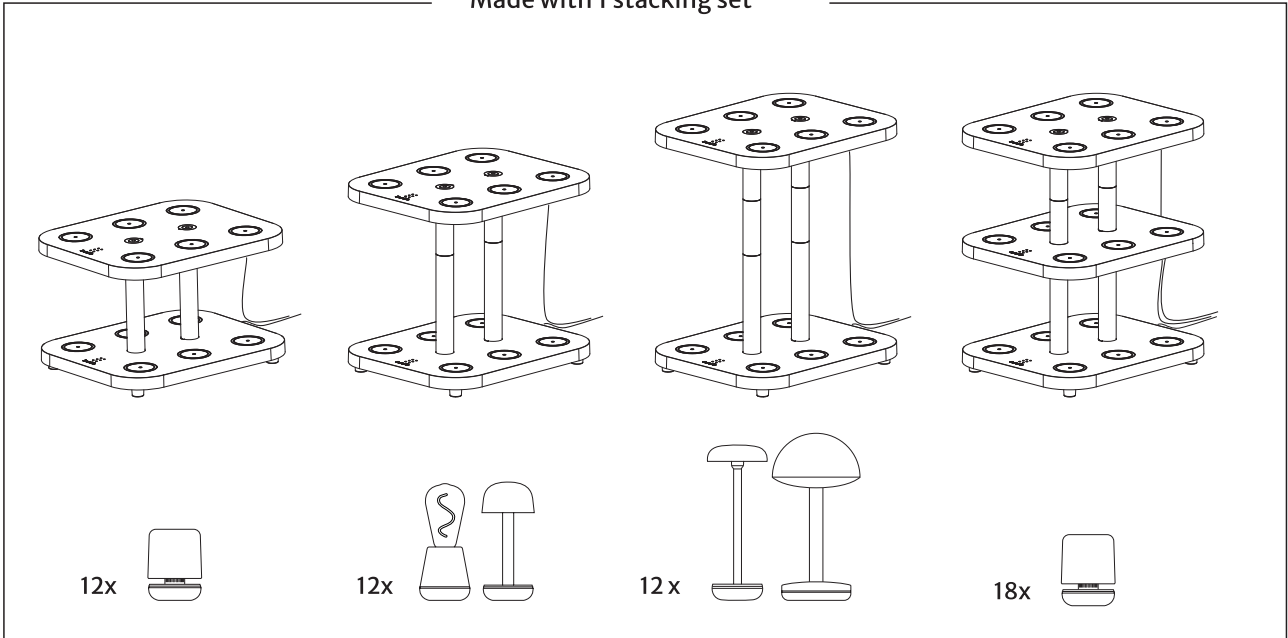
### Did you know?

THE CABLE BOX (ARTICLE NO. HUMAC00050) FITS NEATLY BENEATH CHARGER DOCK SIX STACK, PROVIDING HIDDEN STORAGE FOR EXTENSION CORDS, ADAPTERS, AND LOOSE CABLES—KEEPING YOUR CHARGING STATION NEAT AND ORGANISED.

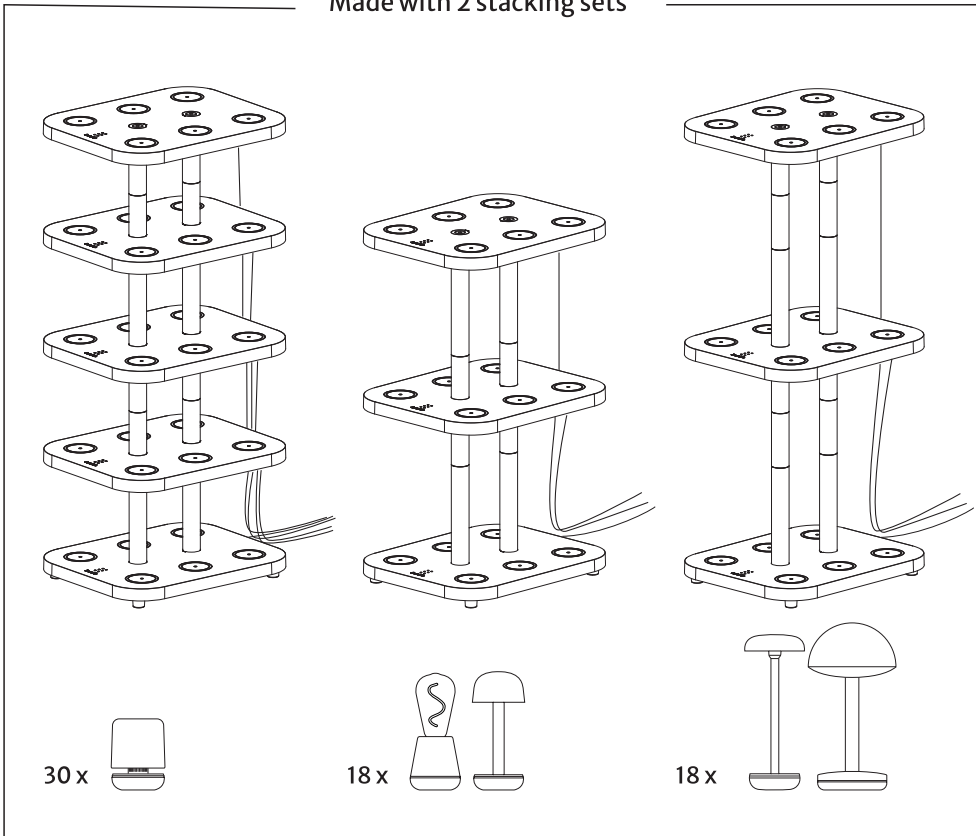


# Example stack configurations

Made with 1 stacking set



Made with 2 stacking sets



## Safety instructions

- This charging dock is designed exclusively for charging Humble devices. Do not use it for any other devices.
- Use only the supplied power adapter or an officially approved replacement. Do not use damaged adapters or cables.
- Do not expose the product or adapter to moisture, rain, or excessive heat.
- Operating temperature range: 0 °C to +40 °C (32 °F to 104 °F).
- Storage temperature range: -10 °C to +60 °C (14 °F to 140 °F).
- Place the charging dock on a stable, flat, and dry surface.
- Do not operate the unit in small, enclosed spaces (such as cabinets) where heat cannot dissipate properly.
- Do not touch the dock or adapter with wet hands and prevent liquids from entering.
- Do not use the product if it is visibly damaged (e.g., housing, power cable, or adapter).
- Keep out of reach of children unless supervised.
- Indoor use only.

## Maintenance instructions

- Always unplug the charging dock and adapter before cleaning.
- Wipe the surface with a dry, soft cloth to remove dust and dirt.
- For more persistent dirt, use a slightly damp cloth with a mild cleaning agent. Ensure no liquid enters the charging area.
- Do not use abrasive pads, solvents, or aggressive cleaning products.
- In professional environments (e.g., hospitality), surfaces may be wiped with a cloth lightly moistened with a mild disinfectant suitable for electronic devices. Allow the product to dry completely before use.