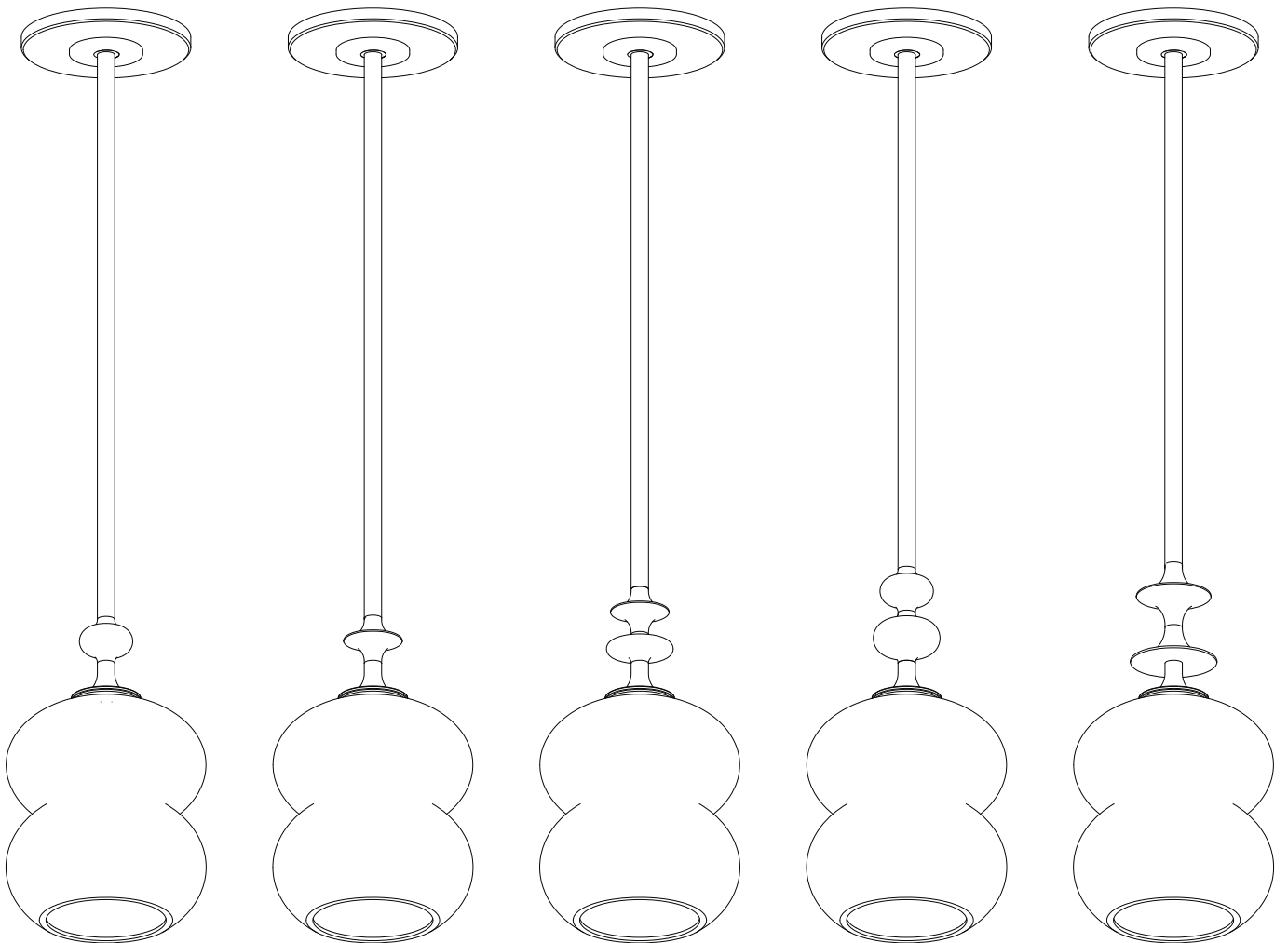




OESTRE PENDANT

Installation Instructions



SkLO

sklo.com

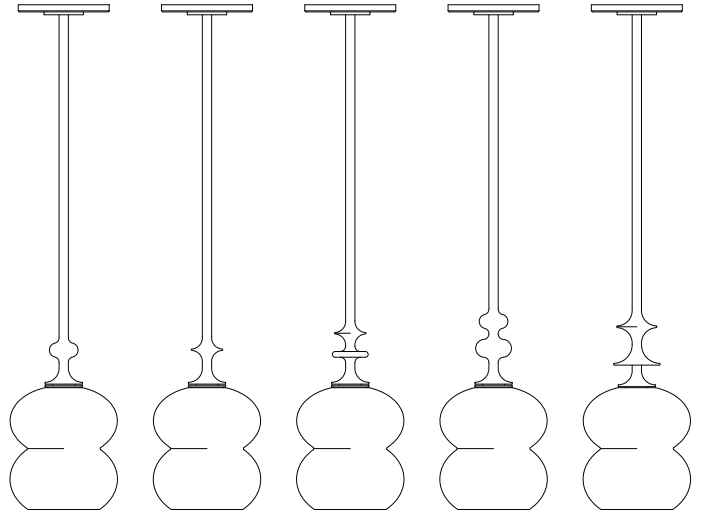
SkLO US 115 WEST NORTH STREET HEALDSBURG CALIFORNIA 95448 USA +1.707.385.2101 us@sklo.com
SkLO EU VÁŽNÍ 488 500 03 HRADEC KRÁLOVÉ CZECH REPUBLIC +420.495.542.071 eu@sklo.com



OESTRE PENDANT

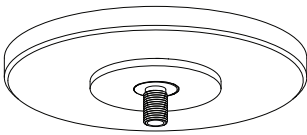

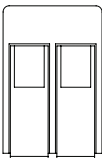
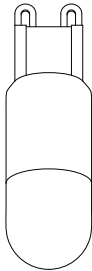
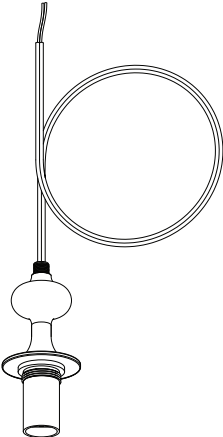
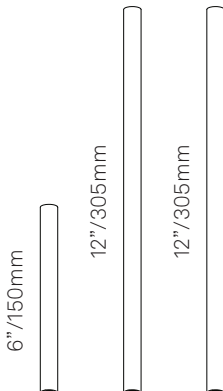
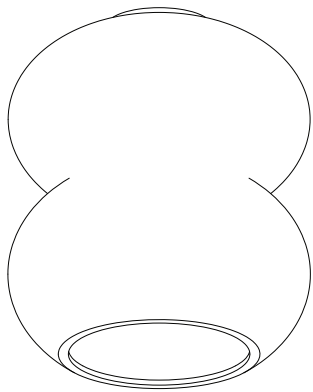
Congratulations on your purchase of a SkLO + AvroKO Oestre Pendant. This product must be installed in accordance with the applicable codes by a person familiar with the construction and operation of the product and the hazards involved, preferably a licensed electrician. Installation of this product requires two persons. Use a maximum 7W bulb.

When unpacking individual items and parts of the light fixture, make sure to lay them out on a protective surface that will neither mar the delicate metal finishes nor scratch the glass. Gloves (nitrile) are provided and must be worn during installation to avoid fingerprints on the finish of the exposed metal parts.



Your fixture will arrive with the hand-blown glass elements packed separately from the light fixture itself.

CONTENTS:

| | | | |
|---|--|--|---|
| Canopy with Crossbar assembly | Threaded nipple | Wire connector | Light bulb |
|  |  |  |  |
| 1x | *x | 3x | 1x |
| Light fixture | Standard stem kit (note: other stem options may be included depending on your order) | Glass diffuser | |
|  |  <p>6"/150mm</p> <p>12"/305mm</p> <p>12"/305mm</p> <p>18"/450mm</p> |  | |
| 1x | 1x | 1x | 1x |

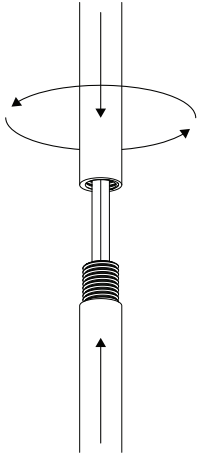
* Number varies based on fixture.



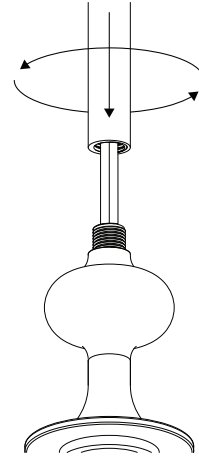
1. Select stem sections from the provided stem kit to achieve desired overall length of fixture. Feed electrical wires from the top of the Light Fixture through the stem sections and thread the stems together using the provided threaded nipples (Figure 1a). Then attach the stem to the top of the Light Fixture (Figure 1b). Note: If custom cut-to-order stem(s) have been specified, use all provided stem(s) to achieve specified overall drop length (OAL).
2. Remove the Crossbar Assembly (A) from the Canopy (B) by unscrewing the canopy nut (C) (Figure 2).
3. Slide the canopy nut and Canopy over the top of the stem and rest carefully on the light fixture (Figure 3a). Take care not to scratch the finish of the stem or light fixture. Pass the fixture wiring through the mounting nipple on the Crossbar Assembly. Thread the Crossbar Assembly together with the mounting nipple onto the top of the stem (Figure 3b).
4. Having a second person support the fixture, fasten the crossbar to recessed electrical box using appropriate machine screws (not provided) (Figure 4).
5. Trim any excess fixture wires leaving sufficient length to make the electrical connections. Connect the exposed leads of the fixture to the exposed leads in the electrical box, following the wiring diagram and using the provided wire connectors (Figure 5). Attach the ground lead (\perp) to the ground wire (\perp) in the electrical box. Attach the fixture phase 1 (L1) wire to the phase 1 (L1) wire in the electrical box. Attach the fixture neutral (N) wire to the neutral (N) wire in the electrical box. Please note the number and type of wire connectors may vary. Carefully replace all electrical wiring and connectors back into the electrical box.
6. Slide the Canopy up the stem and over the mounting nipple on Crossbar Assembly and hold in place against the ceiling. Slide the canopy nut up the stem and thread onto the bottom of the mounting nipple to tighten the Canopy flush against the ceiling finish surface (Figure 6) taking care not to scratch the finish.
7. Remove the protective packaging from the brass socket and install the supplied Light Bulb (7W Max) into the socket (Figure 7). Always turn off the power to the fixture when changing the Bulb. Unwrap the Glass Diffuser. Carefully thread a Glass Diffuser onto socket. Thread until visually tight – do not overtighten.



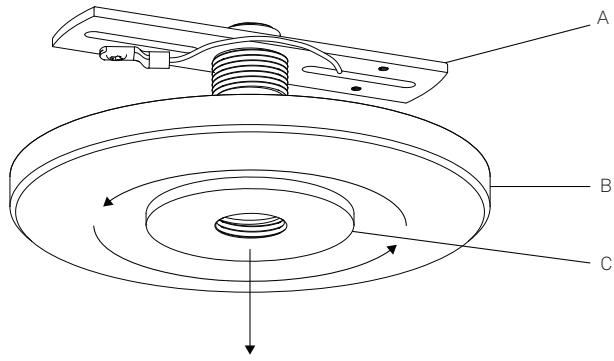
1a.



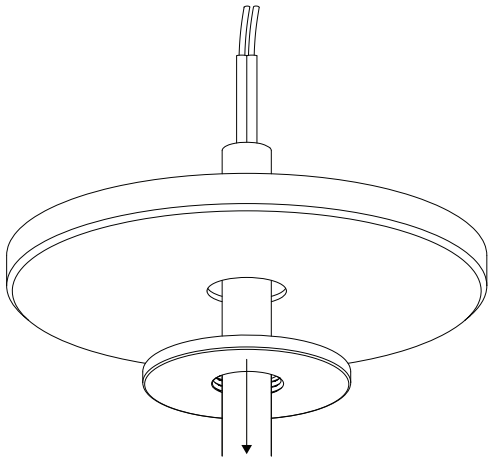
1b.



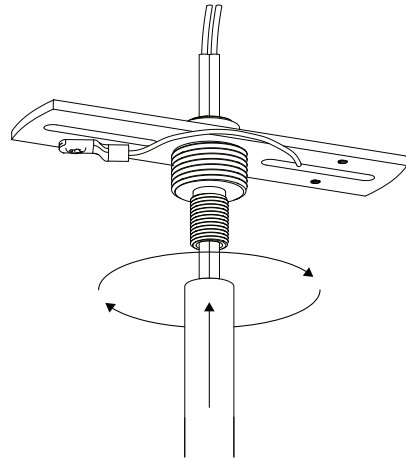
2.



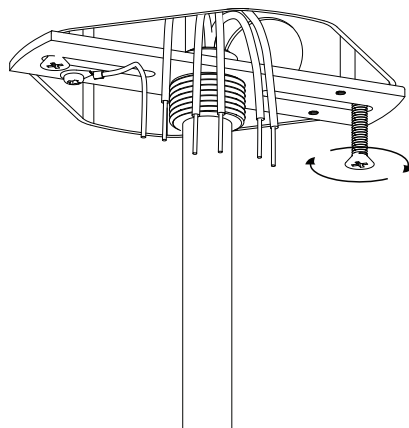
3a.



3b.

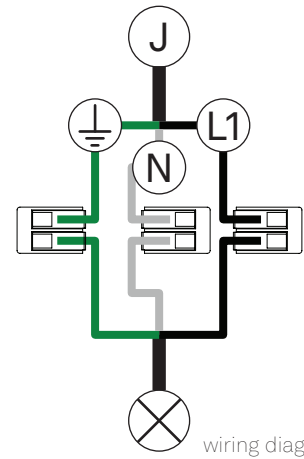
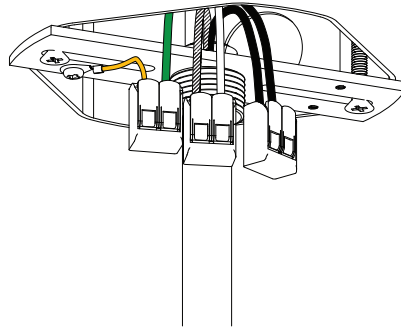


4.



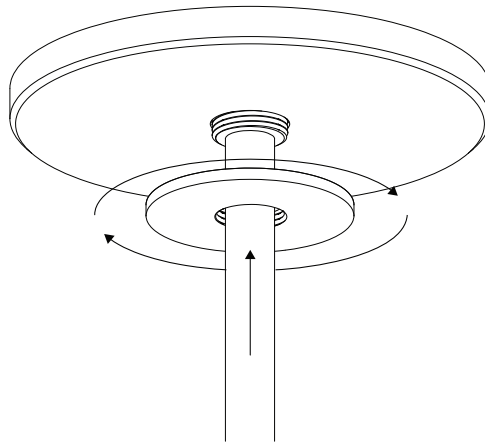


5.



wiring diagram

6.



7.

