

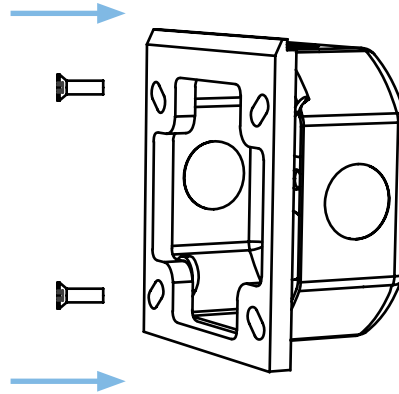


5420 - 82 Ave NW
Edmonton, AB T6B 0E6

t: (780)-919-6792
hello@tomnuk.com

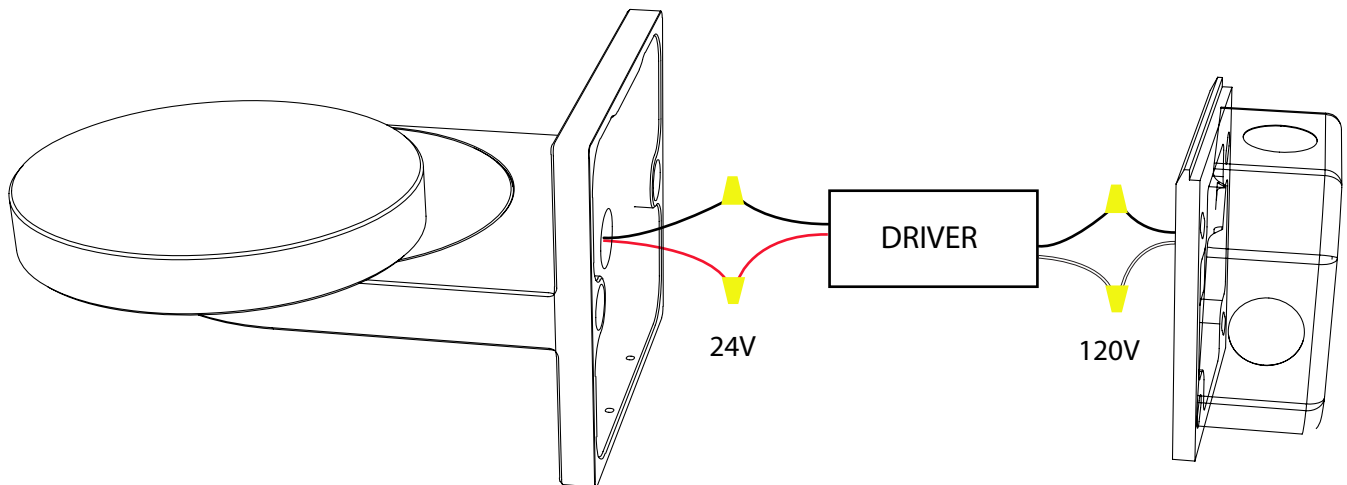
WALL INSTALLATION: LUNE SCONCE

* WE RECOMMEND A CERTIFIED ELECTRICIAN TO PERFORM ALL INSTALLATIONS.



STEP ONE:

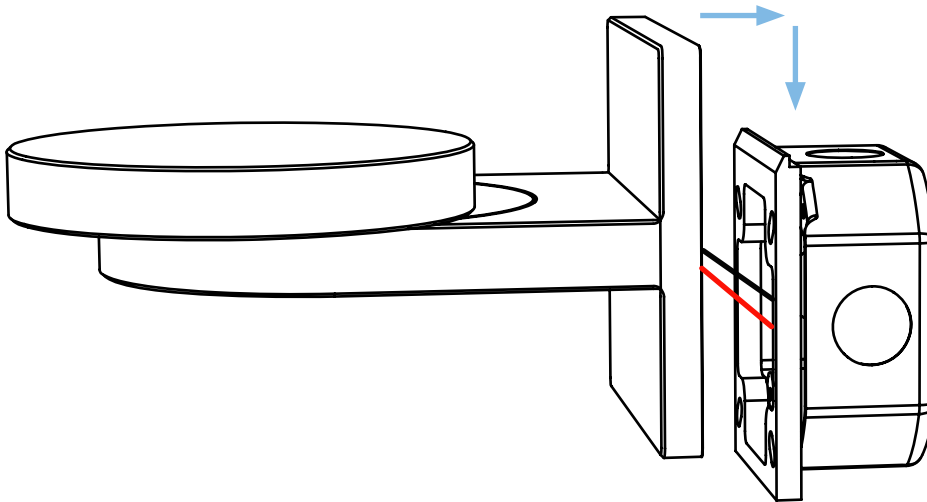
Attach supplied cross bar to the junction box.



STEP TWO:

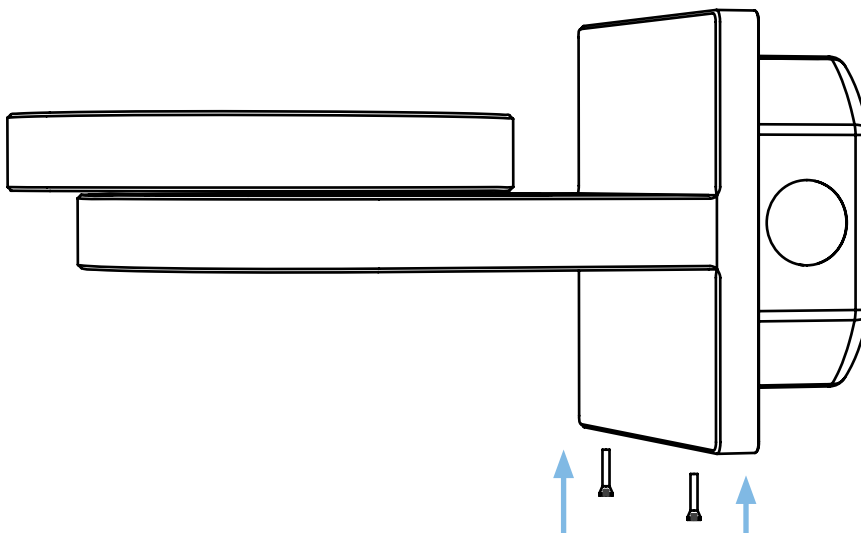
Connect white and black wire on the 120v side and place the driver inside the junction box. Connect the black and red wires on the 24v side.

WALL INSTALLATION: LUNE SCONCE



STEP THREE:

While keeping the wires tidy, take sconce at a slight angle and place it over crossbar. Lock it into place.



STEP FOUR:

Once the sconce is secure, attach two screws to bottom of sconce plate.