



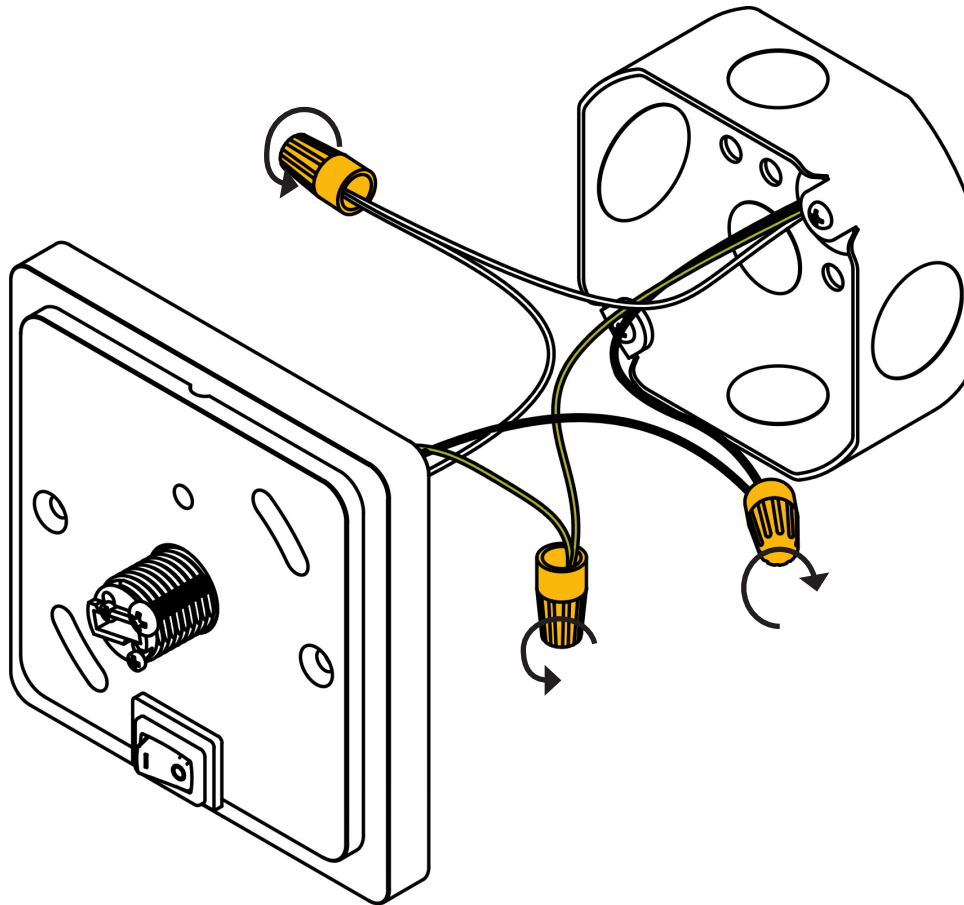
5420-82 Ave NW
Edmonton, AB T6B 0E6

t: (780)-919-6792
hello@tomnuk.com

Install Sheet

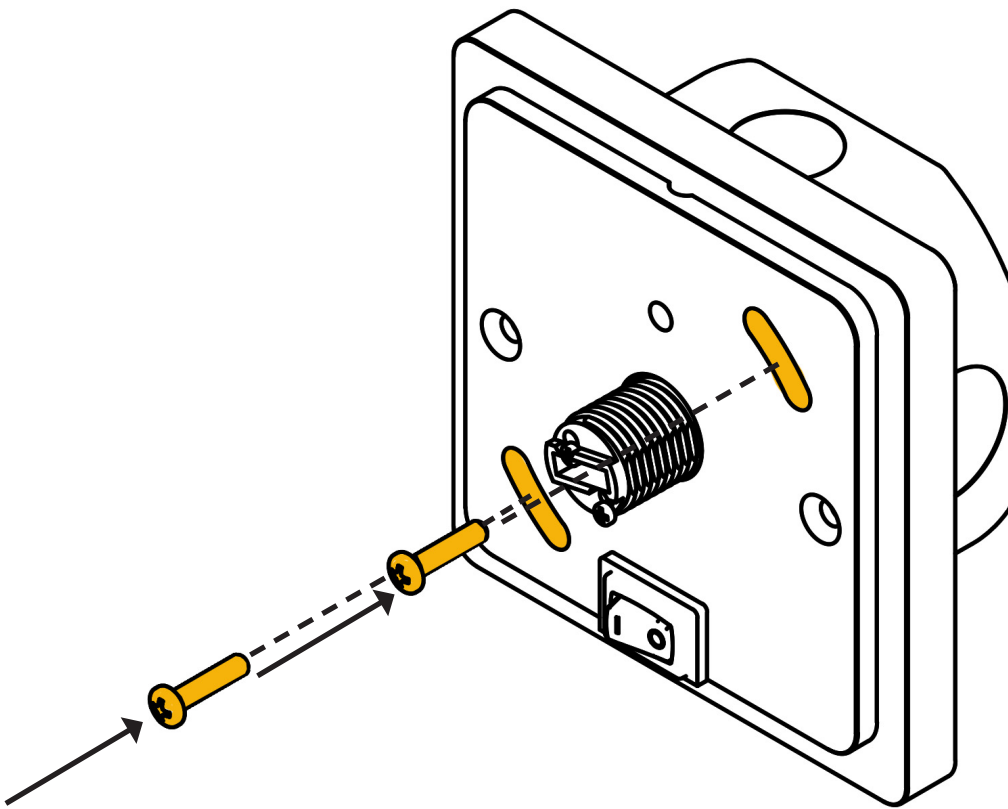
Step 1

Connect wires with supplied wire nuts, black to black, white to white and green to ground.



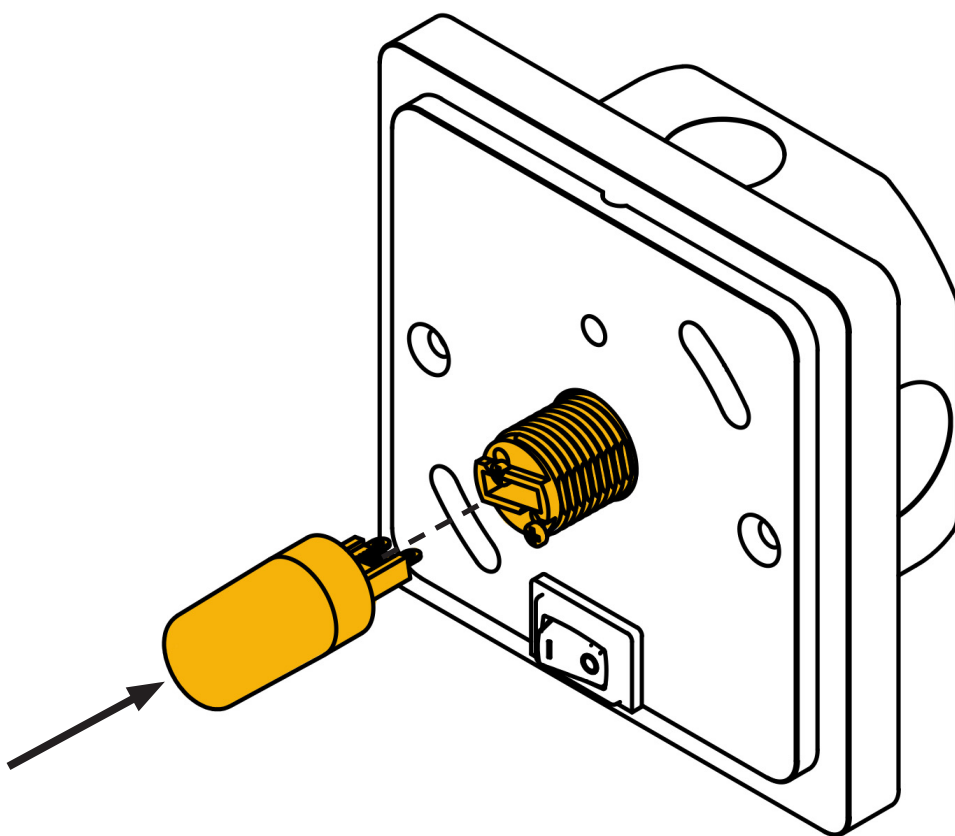
Step 2

Screw wall mounting plate to junction box via 2x 8/32 screws.



Step 3

Insert supplied G9 bulb into socket.



Step 4

Move front shade with globe over the socket and bulb. **Slowly thread globe onto the socket and be careful not to cross thread or overtighten the globe.**

