



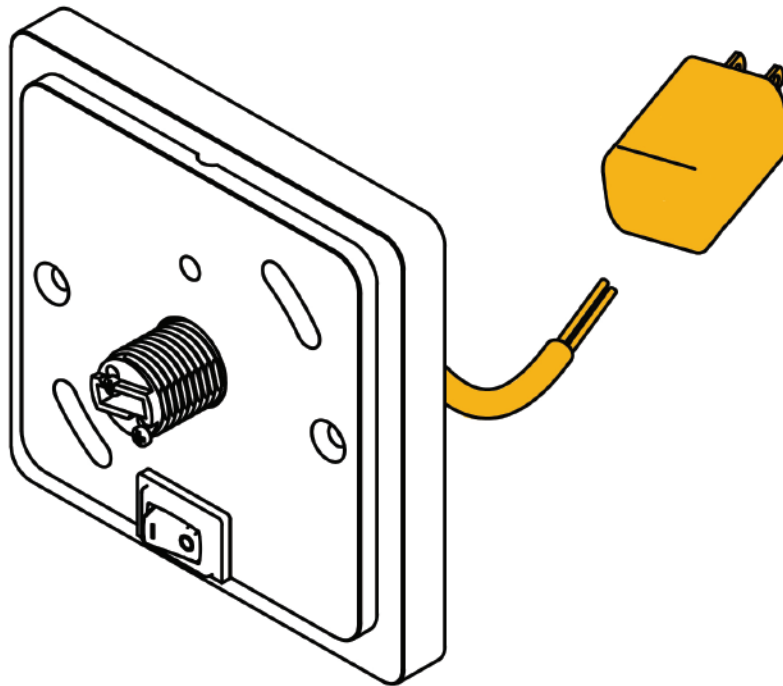
5420-82 Ave NW  
Edmonton, AB T6B 0E6

t: (780)-919-6792  
hello@tomnuk.com

# Install Sheet

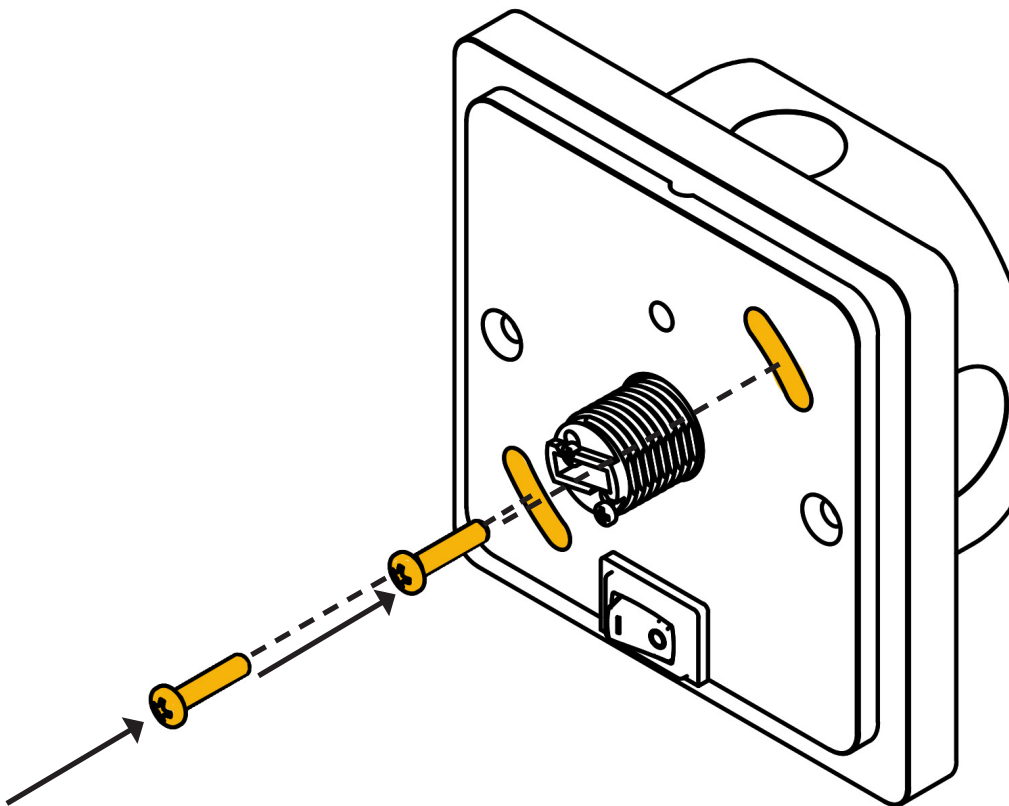
## Step 1

Make sure the power switch on the fixture is in the **OFF** position. Route the wire through a NEC recognized conduit in the millwork and attached the plug end and plug into the outlet.



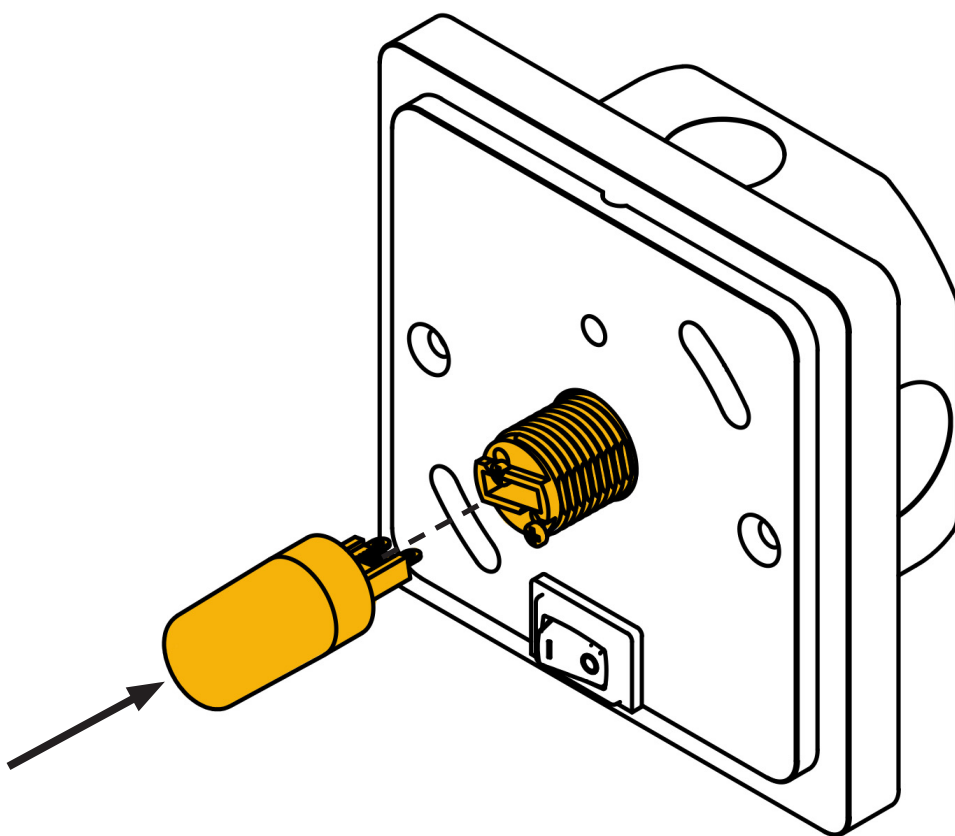
## Step 2

Screw wall mounting plate to junction box via 2x 8/32 screws.



## Step 3

Insert supplied G9 bulb into socket.



## Step 4

Move front shade with globe over the socket and bulb. **Slowly thread globe onto the socket and be careful not to cross thread or overtighten the globe.**

