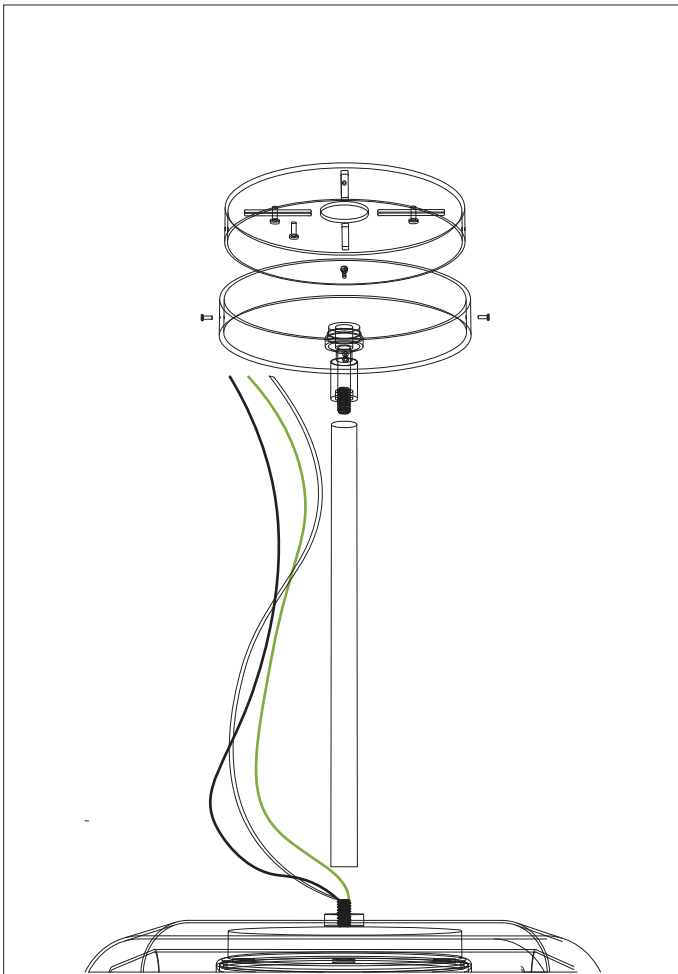




5420- 82 Ave NW
Edmonton, AB T6B 0E6

t: (780)-919-6792
hello@tomnuk.com

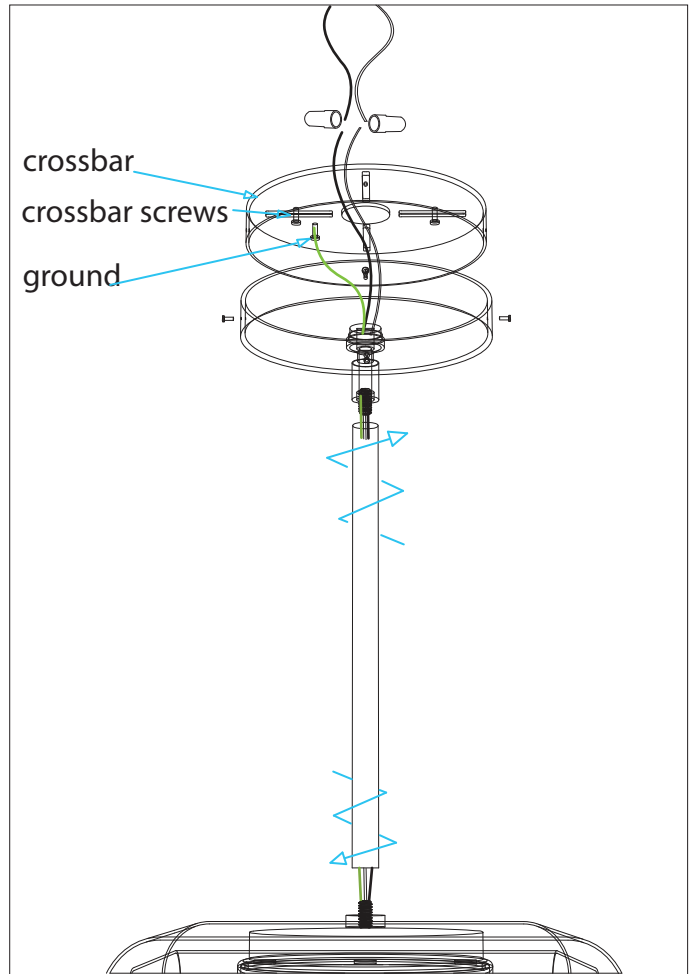
INSTALLATION: VEIL PENDANT



STEP ONE:

Remove globe from fixture.

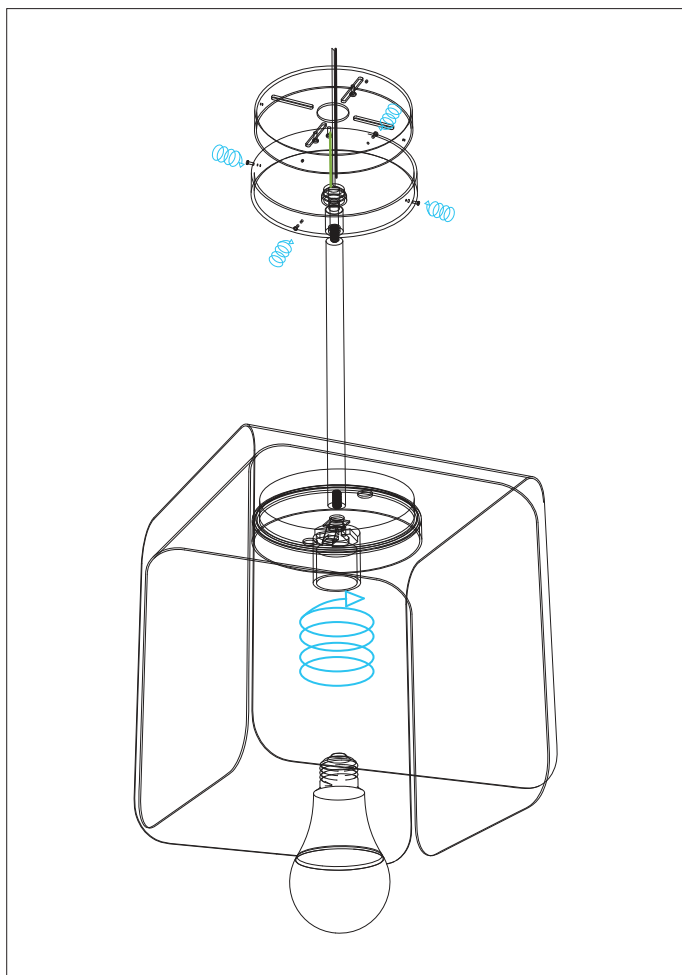
Pull lamp wires through provided stem length and through the canopy.



STEP TWO :

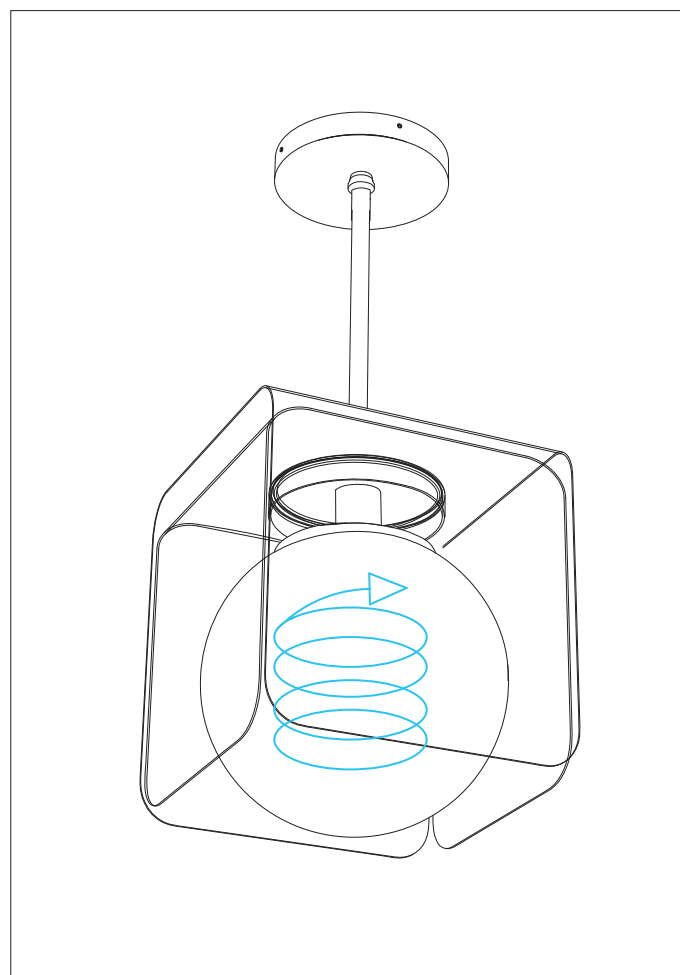
Thread stem onto the canopy and then down onto the top of the fixture. Once the stem is connected to both ends, attach the crossbar and 8/32 screws to the ceiling mount junction box. Once the crossbar is installed the wires can be connected. The green wire to the ground on the crossbar, the black and white wires to the receiving live and neutral wires.

INSTALLATION: VEIL PENDANT



STEP THREE:

Attach side mount screws through the canopy and into the crossbar. Once the canopy, retaining screws and fixture are in place, you can thread the supplied bulb into the socket.



STEP FOUR :

The last step is to screw on the glass globe onto the receiving part of the fixture. Be sure to not over tighten the globe as it could crack the glass or make future use difficult.