



5420-82 Ave NW
Edmonton, AB T6B 0E6

t: (780)-919-6792
hello@tomnuk.com

VEIL SCONCE 8" INSTALL SHEET

1. From the mounting plate, attach black wire to black and white to white at the junction box with supplied wire nuts as well as the green wire to a common ground. Attach the mounting plate (keep cleat slot up) with 8/32, junction box screws. Insert supplied bulb into the socket.

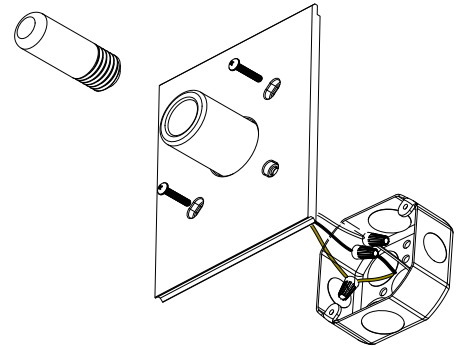
2. After the mounting plate is secure and the bulb is installed, the main housing cover can move on and slide down over the cleat as shown here

3. Once the main housing is securely on the cleat, carefully install the set screws at the bottom of the fixture until you have a light pressure. The fixture is now ready for use.

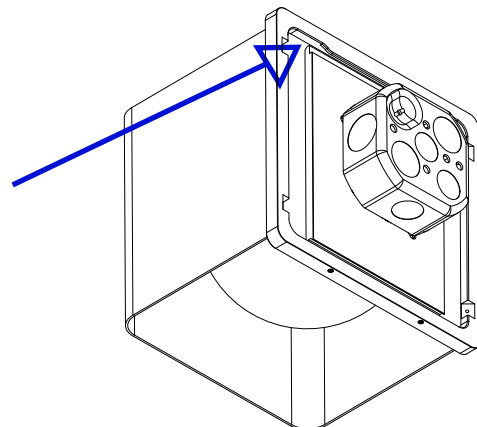
To replace bulb use step 3 in reverse order.

*** We recommend that all fixtures be installed by a licensed electrician.**

STEP 1



STEP 2



STEP 3

